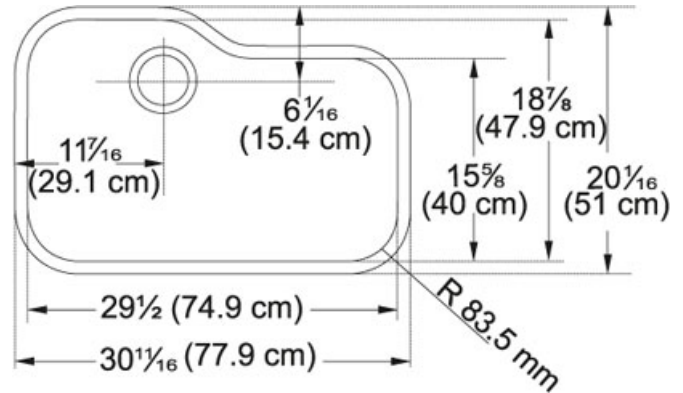


Orca ORX110 Stainless Steel | 122.0035.127

FAMILY : Sinks | SERIE : Orca | MODEL : ORX110 | FINISH : Stainless Steel | INSTALLATION TYPE : Undermount | STYLE : Traditional



TECHNICAL DATA

Minimum Cabinet Size	33"
Drain Opening	3 1/2"
Length overall	30 11/16"
Width overall	20 1/16"
Length of large bowl	29 7/16"
Width of large bowl	18 15/16"
Depth of large bowl	9 1/16"
Cutout Length	29 1/2"
Cutout Width	18 3/4"
Type of Material	18 Gauge Stainless Steel
Cut-Out Template	Yes
Installation Clips	Yes
Franke Integral Ledge	BUILT-IN
Where to buy	Showroom
Where to buy	Showroom

Orca ORX110 Stainless Steel | 122.0035.127

FAMILY : Sinks | SERIE : Orca | MODEL : ORX110 | FINISH : Stainless Steel | INSTALLATION TYPE : Undermount | STYLE : Traditional

RELATED PARTS



119.0068.283



115.0066.591



119.0066.616



133.0204.098



134.0297.202



120.0296.741
