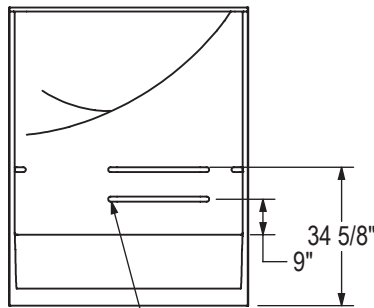
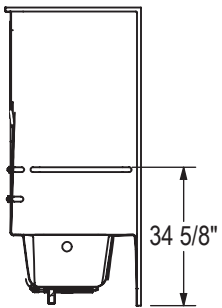
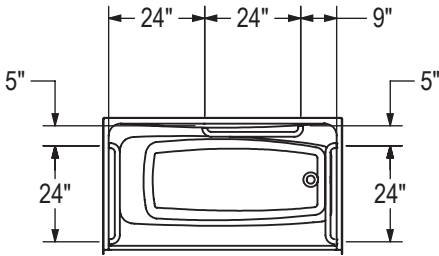
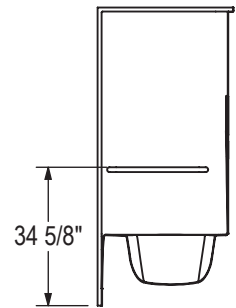


BASE MODEL WITH ADA GRAB BAR PACKAGE
RIGHT SIDE SHOWN
LEFT SIDE SYMMETRICAL



$\phi 1\ 1/4"$
4 GRAB BAR



All dimensions are approximate. Structure measurements must be verified against the unit to ensure proper fit.