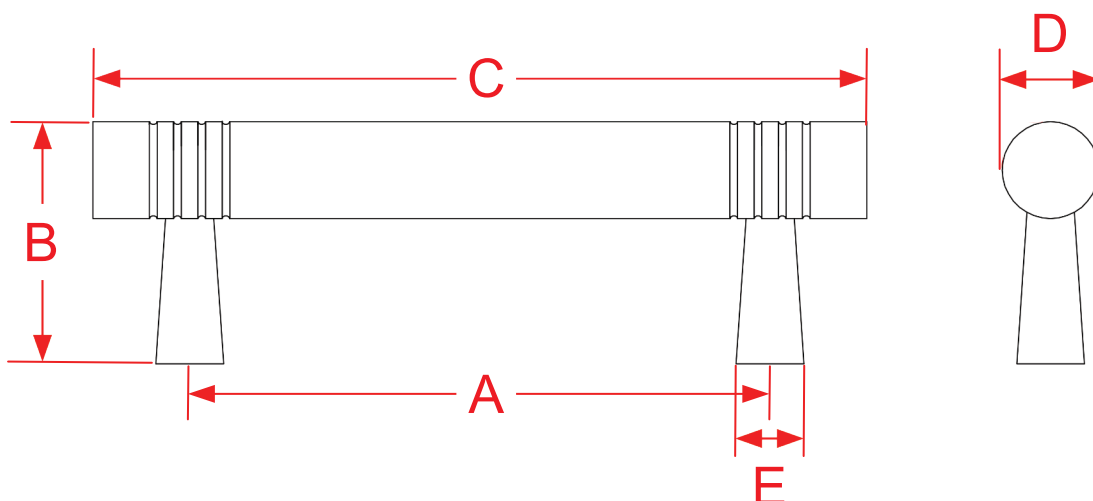


Series 304 and 305 Series Cabinet Pulls

Finishes for Life
TARNISH-FREE GUARANTEED



	A	B	C	D	E
Part #	Center to Center	Projection	Overall	Diameter	Base Diameter
304	3.0000"	1.2500"	4.0000"	0.5000"	0.3125"
305	3.5000"	1.2500"	4.5000"	0.5000"	0.3125"
Custom Sizing Available					



Manufacturing Fine Architectural Hardware
in the USA Since 1927



Copyright 2015
Colonial Bronze Company
All rights reserved
www.colonialbronze.com -
860.489.9233