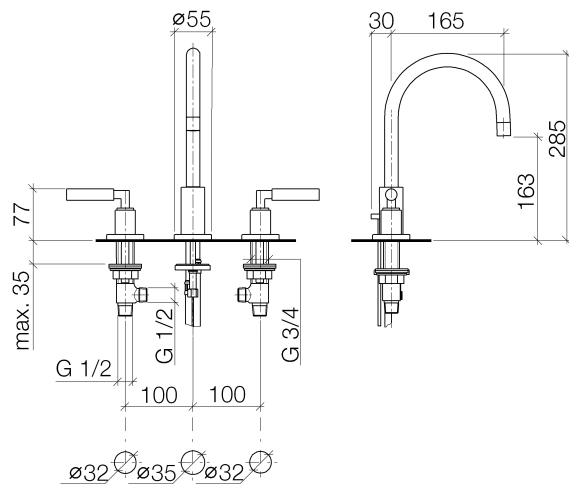




Product specifications

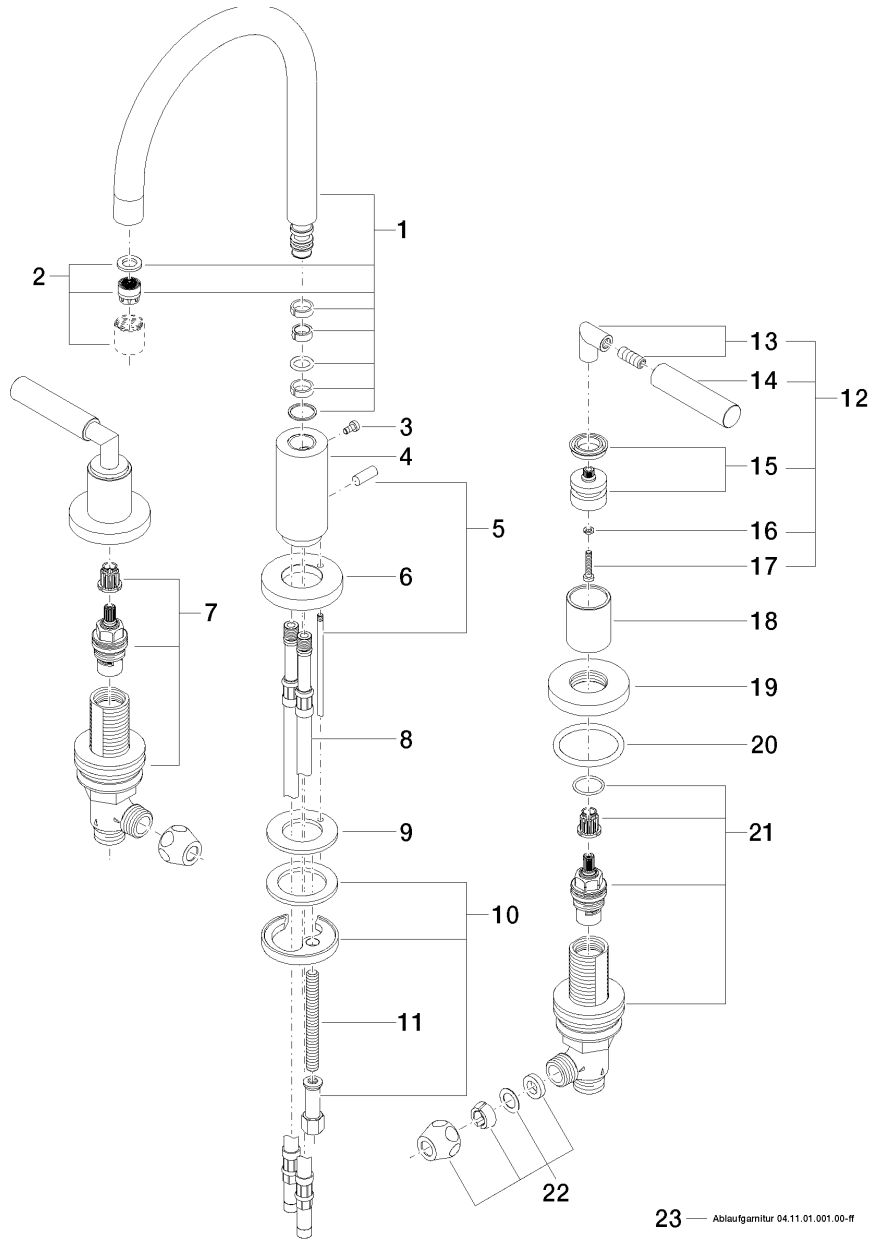
- **165 mm projection**
- pivotable spout 360°
- circular, air-enriched flow
- height of mixer 285 mm
- height up to aerator 163 mm
- hole diameter valve 32 mm
- hole diameter spout 35 mm
- rosette Ø 55 mm
- 2x screw-in M 10 x 1 pressure hose, leak-tested
- max. flow 7 l/min
- lead-free



Surfaces

- | | |
|-----------------|-------------|
| • chrome | 20713882-00 |
| • platinum matt | 20713882-06 |
| • platinum | 20713882-08 |
| • matt black | 20713882-33 |

Exploded assembly drawing



Order quantity

No.	Article number	Name	Installation quantity
1	90282221301ff	spout	1
2	90230102803ff	aerator	1
3	09303005790	screw	1
4	09111008710ff	connection	1
5	04208903080ff	pull-rod	1
6	092810133ff	ring	1
7	9017110405190	side panel	1
8	0430040640090	hose	2
9	09140504790	seal	1
10	0430110380090	fixing set	1
11	09311101190	pin	1
12	04208805200ff	handle	2
13	04182002200ff	angle	2
14	092088052ff	handle	2
15	90121200700ff	base	2
16	09301102990	disc	2
17	09303007590	screw	2
18	092102140ff	sleeve	2
19	092789105ff	rosette	2
20	09141004390	seal	2
21	9017110405090	side panel	1
22	04233004000ff	threaded connector	2
23	04110100100ff	pop-up waste	1

Flow rate chart

