



Sink - IMO

Single-lever lavatory mixer with drain - polished chrome

Article number: 33 507 670-00 0010



- 4-1/8" Projection
- US drain with overflow
- Rigid spout
- Rectangular aerated stream
- Total height 5-7/8"
- Height to aerator/spout outlet 3-1/8"
- 1-3/8" hole diameter
- Optional flange Ø 2" included
- Progressive temperature cartridge
- 2x 3/8" US flexible supply lines
- Water flow rate limited to max. 1.2 gpm
- lead-free
- Suitable only for basins with overflow.



polished chrome



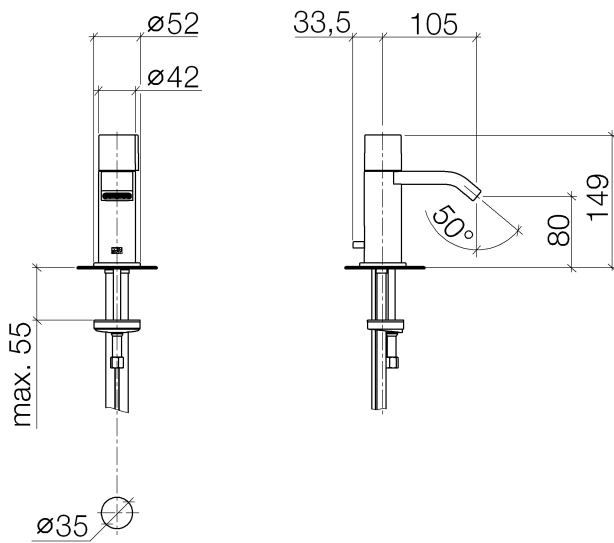


Sink - IMO

Single-lever lavatory mixer with drain - polished chrome

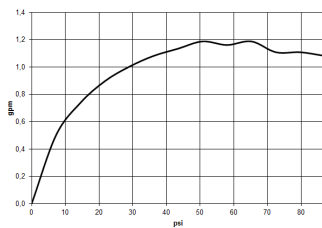
Article number: 33 507 670-00 0010

Dimensional drawing



All dimensions in mm / inch = mm x 0,0394

Flow rate chart





Sink - IMO

Single-lever lavatory mixer with drain - polished chrome

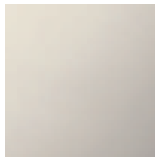
Article number: 33 507 670-00 0010

Other surface finishes



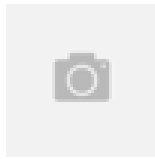
platinum matte

33 507 670-06 0010



platinum

33 507 670-08 0010



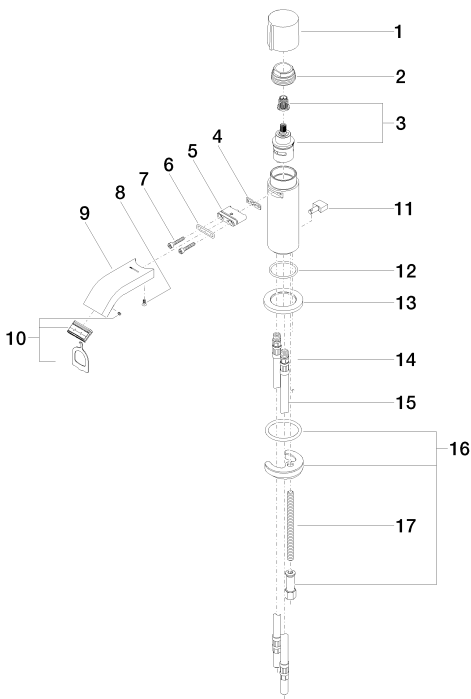
Brushed Durabrass

33 507 670-28 0010

More custom finish options are available via special production (xTra Service). Please see our finish matrix for availability and pricing or contact a Dornbracht representative.

Sink - IMO
Single-lever lavatory mixer with drain - polished chrome
Article number: 33 507 670-00 0010

Spare parts list



Number	Item Number	Designation	Number of units
1	09 20 67 001-00	handle	1
2	09 23 10 065-00	nut	1
3	90 90 03 162 00 90	top	1
4	09 14 03 131 90	seal	1
5	09 11 03 061 90	connection	1
6	09 14 10 053 90	seal	1
7	09 30 30 182 90	screw	2
8	09 30 30 116 90	screw	1
9	09 28 22 238-00	spout	1
10	90 29 03 118 00 90	aerator	1
11	09 20 67 002-00	handle	1
12	09 14 10 104 90	seal	1
13	09 27 67 003-00	rosette	1
14	09 31 09 080-00	pull-rod	1
15	04 30 04 045 00 90	Flexible supply line 3/8"	2
16	04 30 11 085 01 90	fixing set	1
17	09 31 11 012 90	pin	1
18	04 11 01 023 00-00	Drain - polished chrome	1

18 Abbildungsverzeichnis 33.507.670.00.0010