



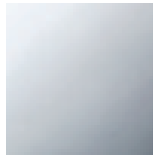
Kitchen - eno

Single-lever mixer with pull-out spout with spray function - polished chrome

Article number: 33 870 760-00 0010



- 8-7/8" Projection
- Swiveling spout 130°
- Laminar and spray function
- Total height 6-5/8"
- Height to aerator/spout outlet 5-3/8"
- 1-3/8" hole diameter
- 2x 10 mm flexible supply lines including 3/8" US adapters
- Fabric braided spray hose 59"
- Water flow rate limited to max. 1.5 gpm
- lead-free
- (ADA)
- Internal backflow preventer.
- Push button locks into spray mode when pressed. To switch back to aerator mode the water must be turned off.



polished chrome

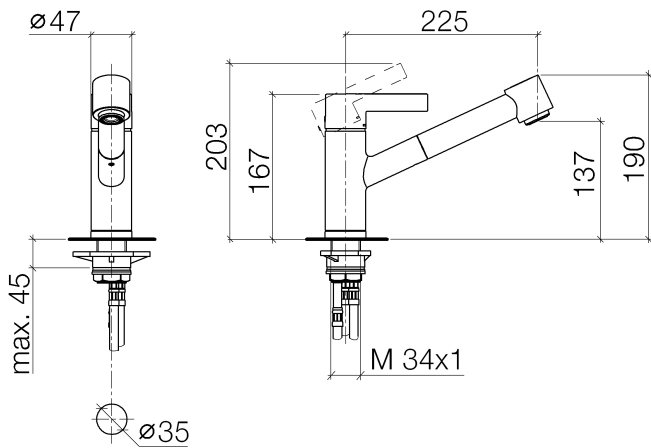


Kitchen - eno

Single-lever mixer with pull-out spout with spray function - polished chrome

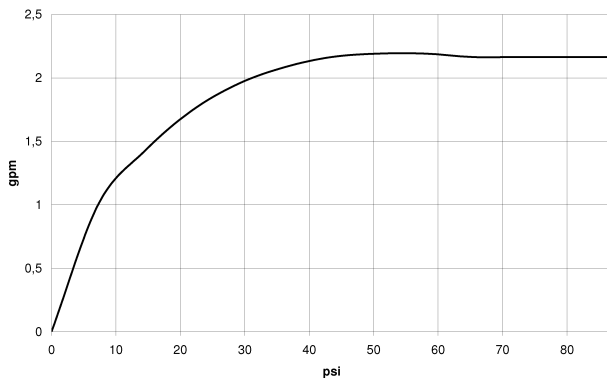
Article number: 33 870 760-00 0010

Dimensional drawing



All dimensions in mm / inch = mm x 0,0394

Flow rate chart





Kitchen - eno

Single-lever mixer with pull-out spout with spray function - polished chrome

Article number: 33 870 760-00 0010

Other surface finishes



platinum matte

33 870 760-06 0010



platinum

33 870 760-08 0010



Brushed Durabrass

33 870 760-28 0010

More custom finish options are available via special production (xTra Service). Please see our finish matrix for availability and pricing or contact a Dornbracht representative.

Recommended article



10 713 970-00

AIR SWITCH operating button, trim parts only - polished chrome



82 424 970-00

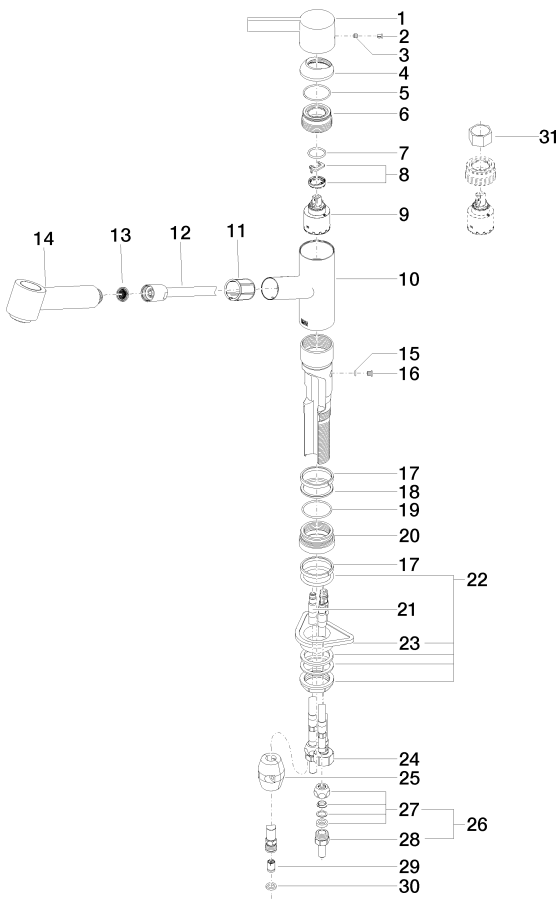
Soap dispenser without flange - polished chrome

Kitchen - eno

Single-lever mixer with pull-out spout with spray function - polished chrome

Article number: 33 870 760-00 0010

Spare parts list



Number	Item Number	Designation	Number of units
1	09 20 76 001-00	handle	1
2	09 31 20 017 90	plug	1
3	09 31 11 030 90	pin	1
4	09 28 30 012-00	cover	1
5	09 14 10 102 90	seal	1
6	09 24 04 270 90	nut	1
7	09 14 10 031 90	seal	1
8	04 28 10 148 00 90	accessories	1
9	90 15 05 062 00 90	cartridge	1
10	09 19 76 001-00	sleeve	1
11	09 18 40 099 90	sleeve	1
12	04 30 02 059 00-00	hose	1
13	09 23 01 039 90	sieve	1
14	04 12 11 098 00-00	shower	1
15	09 14 10 001 90	seal	1
16	09 30 30 113 20 90	screw	1
17	09 14 15 029 90	ring	2
18	09 28 10 144 90	ring	1
19	09 14 10 034 90	seal	1
20	09 27 76 001-00	rosette	1
21	04 30 04 018 00 90	hose	2
22	04 23 10 044 02 90	fixing set	1
23	09 18 40 090 90	sleeve	1
24	04 30 04 029 00 90	hose	1
25	04 21 50 005 00 90	accessories	1
26	04 24 04 222 00-00	adaptor	2
27	04 23 30 031 01-07	threaded connector	2
28	09 24 04 222 10-00	adaptor	2
29	09 23 01 096 90	back-flow preventer	1
30	09 14 20 019 90	seal	1
31	09 30 09 031 90	key	1