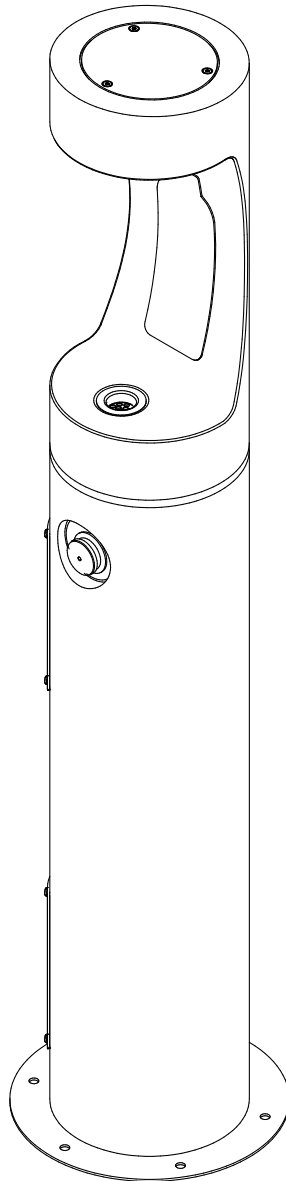


Owners Manual

Model 4400BF

Floor Mount Tubular Bottle Filler Fountain



INSTALLER

4400BF Fountains are among the easiest to install Fountains on the market today. To assure you install these models easily and correctly, PLEASE READ THESE SIMPLE INSTRUCTIONS BEFORE STARTING THE INSTALLATION. CHECK YOUR INSTALLATION FOR COMPLIANCE WITH PLUMBING, ELECTRICAL, AND OTHER APPLICABLE CODES. After installation, leave these instructions with the Fountain for future reference.

INSTALLATION INSTRUCTIONS

IMPORTANT

ALL SERVICE TO BE PERFORMED BY AN AUTHORIZED SERVICE PERSON

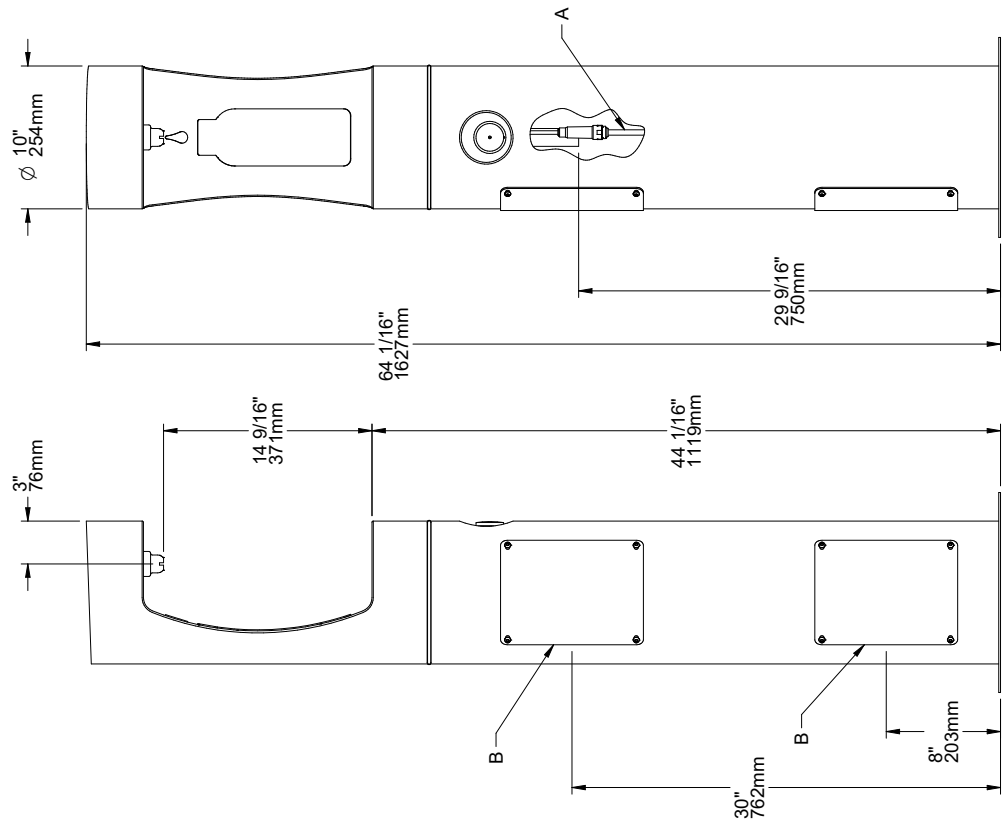
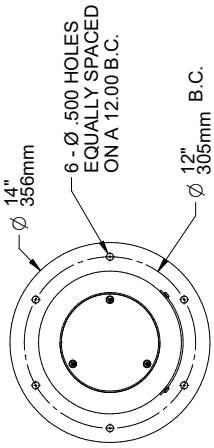
IMPORTANT! INSTALLER PLEASE NOTE.

THE GROUNDING OF ELECTRICAL EQUIPMENT SUCH AS TELEPHONE, COMPUTERS, ETC. TO WATER LINES IS A COMMON PROCEDURE. THIS GROUNDING MAY BE IN THE BUILDING OR MAY OCCUR AWAY FROM THE BUILDING. THIS GROUNDING CAN CAUSE ELECTRICAL FEEDBACK INTO A FOUNTAIN, CREATING AN ELECTROLYSIS WHICH CAUSES A METALLIC TASTE OR AN INCREASE IN THE METAL CONTENT OF THE WATER. THIS CONDITION IS AVOIDABLE BY USING THE PROPER MATERIALS AS INDICATED. ANY DRAIN FITTINGS PROVIDED BY THE INSTALLER SHOULD BE MADE OF PLASTIC TO ELECTRICALLY ISOLATE THE FOUNTAIN FROM THE BUILDING PLUMBING SYSTEM.

1. This fountain is to be mounted on a smooth, flat, finished surface with adequate support structure. NOTE: Mounting structure must be capable of supporting 300 lb. load on fountain.
2. Refer to rough-in for plumbing.
3. Install shut-off valve on water supply. (Valve not furnished)
4. Locate and install fountain using 3/8" minimum fasteners. (Fasteners not furnished).
5. Prior to installing the Bottle Filler to the fountain, insert drain tube (Item # 4) by positioning the short end of drain pipe through the mounting plate of bottle filler. Next, place the aesthetic collar (item # 15) onto the center mounting position of the fountain ensuring the vertical edge of the collar is upright and the curved edge sits below the mounting surface. Mount bottle filler to fountain with collar centered between the two pieces. Secure with supplied hardware.
6. Connect water supply and fountain drain. Water connection and drain must comply with local codes.
7. Turn on water supply and check all connections for leaks.

CAUTION: This fountain is rated for inlet water pressure of 20-105 PSI. A pressure reducing regulator should be used if the inlet water supply exceeds 105 PSI. Any damage caused by reason of connecting this product to supply line

8. Water supply 3/8" O.D. unplated copper tube. Waste 1-1/4" IPS. Contractor to supply waste trap and service stop valve in accordance with local code.
9. Connecting lines to be made of unplated copper and should be thoroughly flushed to remove all foreign matter before being connected to fountain. This fountain is manufactured in such a manner that it does not in any way cause taste, odor, color, or sediment problems.
10. Connect fountain to supply line with a shut-off valve and install a 3/8" unplated copper water line between the valve and the fountain. Remove any burrs from outside of water line. Push the tubes straight into the fittings until they reach a positive stop, approximately 3/4" (See Fig. 2). DO NOT SOLDER TUBES INSERTED INTO THE STRAINER AS DAMAGE TO THE O-RINGS MAY RESULT.

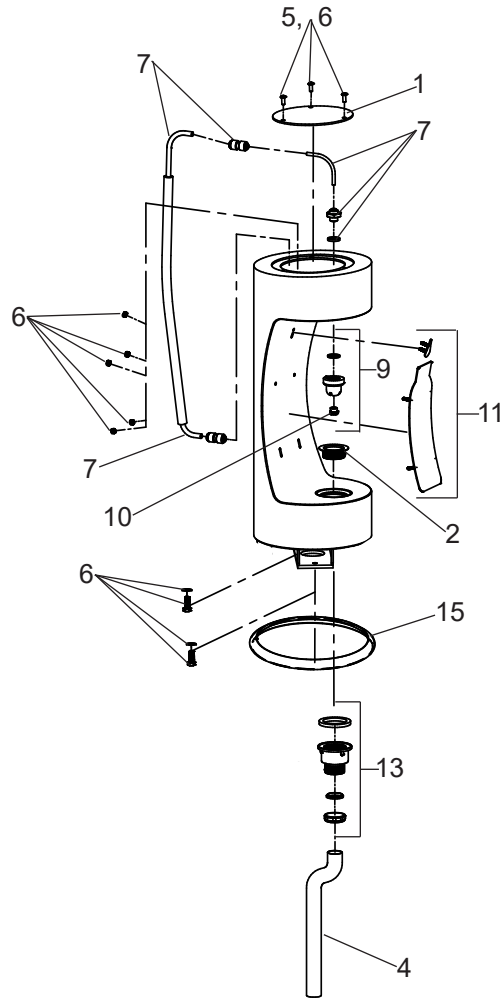
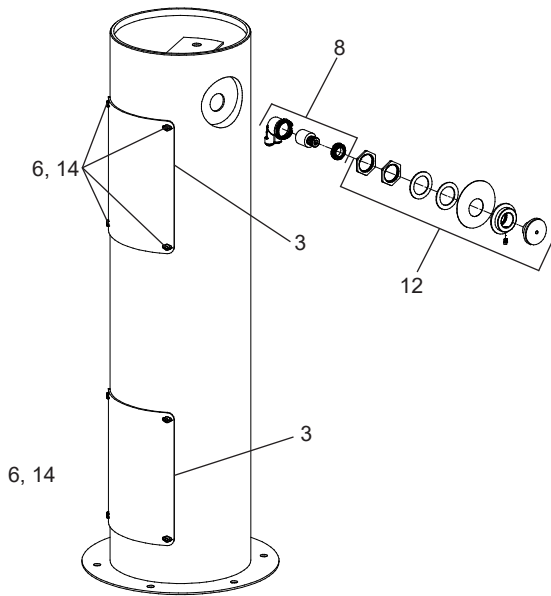
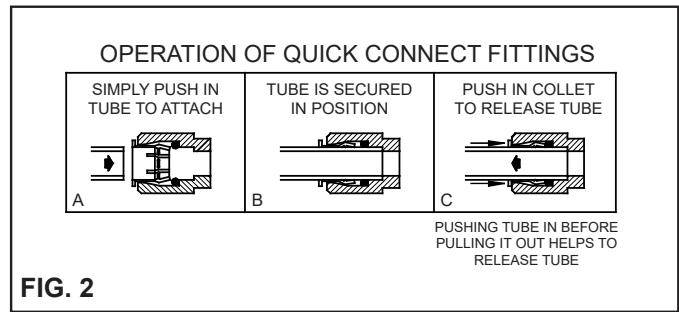
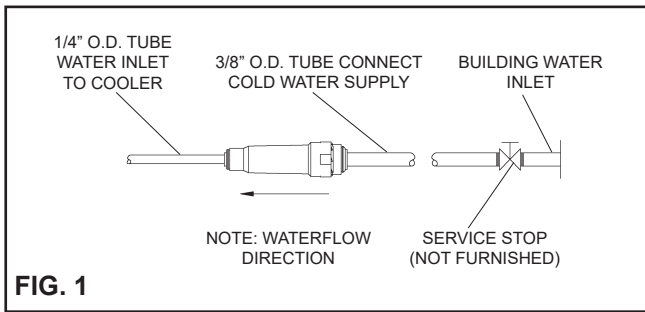


LEGEND
 A = 3/8" O.D. UNPLATED COPPER TUBE CONNECT - SHUT OFF VALVE BY OTHERS
 B = ACCESS PANEL (8" X 10")

TROUBLESHOOTING AND MAINTENANCE

ACTUATION OF QUICK CONNECT WATER FITTINGS:

Fountain is provided with lead-free connectors which utilize an o-ring water seal. To remove tubing from the fitting, relieve water pressure, push in on the gray collar while pulling on the tubing. (see Fig.2) To insert tubing, push tube straight into fitting until it reaches a positive stop, approximately 3/4".



ITEMIZED PARTS LIST

ITEM NO.	PART NO.	DESCRIPTION
1	1000003814*	Cover - Round Plate
2	45931C	Outdoor Bottle Filler Drain Plug
3	1000003812*	Access Panel
4	66815C	Tube - Drain
5	75724C	Screw - 1/4"x20 x 3/4" LG. Pinned Torx
6	98685C	Kit - Hardware/Bolts/Nuts/Wshrs/Torx Screws
7	98686C	Kit - (BF) Waterway/Nipple/Gasket/Tubes/Ftgs
8	98678C	Kit - 1.0 GPM Regulator (BF Only)
9	98679C	Kit - Nozzle/Aerator/Gasket/Pin/Key
10	98680C	Kit - Aerator/Key
11	98681C	Kit - Blank Bottle Filler Trim
	1000003692	Kit - LK4400BF Bottle Filler Trim
	1000003693	Kit - 4400BF Bottle Filler Trim
12	98682C	Kit - Push Button w/Blank Nameplate
	1000003694	Kit - Push Button w/LK4400BF Nameplate
	1000003695	Kit - Push Button w/4400BF Nameplate
13	98683C	Kit - Drain Adapter/Gasket/Nut/Washer
14	97247C	Kit - VR Torx Screws/Bit
15	1000005456	Aesthetic Collar
NS	55996C	In-Line Strainer

***FINISH COLOR OPTIONS** – Choose color option to complete your model number, add as suffix example: 4400BF^{EVG}

Matte finish: Evergreen = EVG

Gloss finish:

- Beige = BGE
- Black = BLK
- Blue = BLU
- Brown = BRN
- Gray = GRY
- Orange = ORN
- Purple = PUR
- Red = RED
- Terracotta = TER
- White = WHT
- Yellow = YLW

NS = Not Shown
*select color option to complete part number