

BAR AND

49-230 SERIES 49-240 SERIES
49-250 SERIES 59-900 SERIES CO-44-250 SERIES

LAUNDRY SINK FAUCET

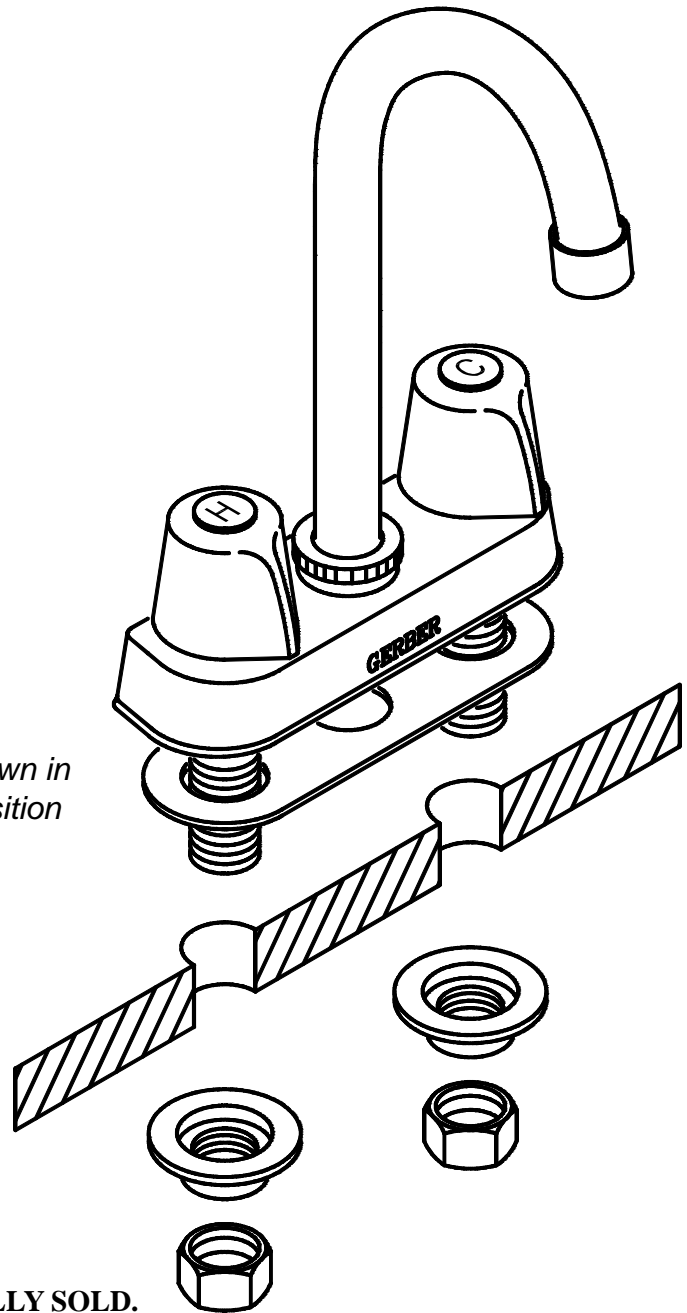
This document is to better understand proper installation, maintenance, and care.

Carton Includes:

- 1 Bar / Laundry Body
- 2 Locknuts / 2 Supply Nuts
- 1 Putty Plate

Preparation Instructions:

- Read Instructions
- Shut off water supply
- Remove old fixture
- Clean Mounting Surface



*Handles shown in
the open position*



**PROFESSIONALLY MADE. PROFESSIONALLY SOLD.
PROFESSIONALLY INSTALLED.**

Gerber Plumbing Fixtures LLC
4600 West Touhy Avenue, Lincolnwood, IL 60712
www.gerberonline.com
(847) 675-6570

0008413E
© 2003 Gerber Plumbing Fixtures LLC

Installing Your GERBER® Faucet:

1. Clean and dry sink deck mounting surfaces.
2. Apply plumber's putty to bottom of putty plate (29).
3. Install faucet through sink mounting holes.
4. Finger tighten the locknuts (25) onto the supply stems.
5. Visually align faucet and securely tighten the locknuts (25) by hand. (*DO NOT OVER TIGHTEN!*)
6. Connect water supply using supply nuts (26) if applicable.
7. Remove aerator (3) and flush both hot and cold water lines. Reinstall aerator (3) and check for leaks.

FOR COMMERCIAL USE ONLY

After faucet installation, remove the spout (9) from the body (24). Install brass washer (30) into the body (24). Reinstall the spout (9) and tighten for a fixed, non-moveable spout.

DECORATIVE FINISHES

The use of 100% nonabrasive wax, such as TURTLE WAX T136 applied with a 100% cotton cloth, will clean and brighten the surfaces and provide for easier cleaning. With proper care, your new GERBER faucet will give you years of trouble free service and enjoyment. Use only a 100% cotton cloth dampened with water to clean. **DO NOT** use detergent cleaners or abrasive materials as they may cause damage to the finish and void the warranty. **MADE IN THE U.S.A.**

Instalacion del GERBER® Grifo:

1. Sacar el grifo del empaque.
2. Meter la empaquetadura (29) en la parte inferior del grifo.
3. Aplicar masilla de plomero u otro sellador a la parte inferior de la empaquetadura (29).
4. Instalar el grifo a traves de los agujeros de monotura.
5. Meter las contratuerzas sinteticas (25) en los caños de suministro y apretarlas con los dedos.
6. Alinear el grifo exactamente como se desea y con las manos apretar las contratuerzas sinteticas (25) tanto como se pueda.
7. Conectar el suministro de agua usando las tuercas (26) que se proveen.
7. Quitar el pulverizador (2, 3) y dejar que corra el agua fria y el agua caliente. Colocar de nuevo el pulverizador y chequear que las conecciones no tengan fugas.

SOLO PARA SURTIDORES COMERCIALES

Despues de instalar el grifo, quitar el surtidor del bloque del grifo (24). Instalar la arandela de lanton (30) en el bloque del grifo (24). Colocar de nuevo el surtidor (9) y apretar para obtener un surtidor fijo, inmovible.

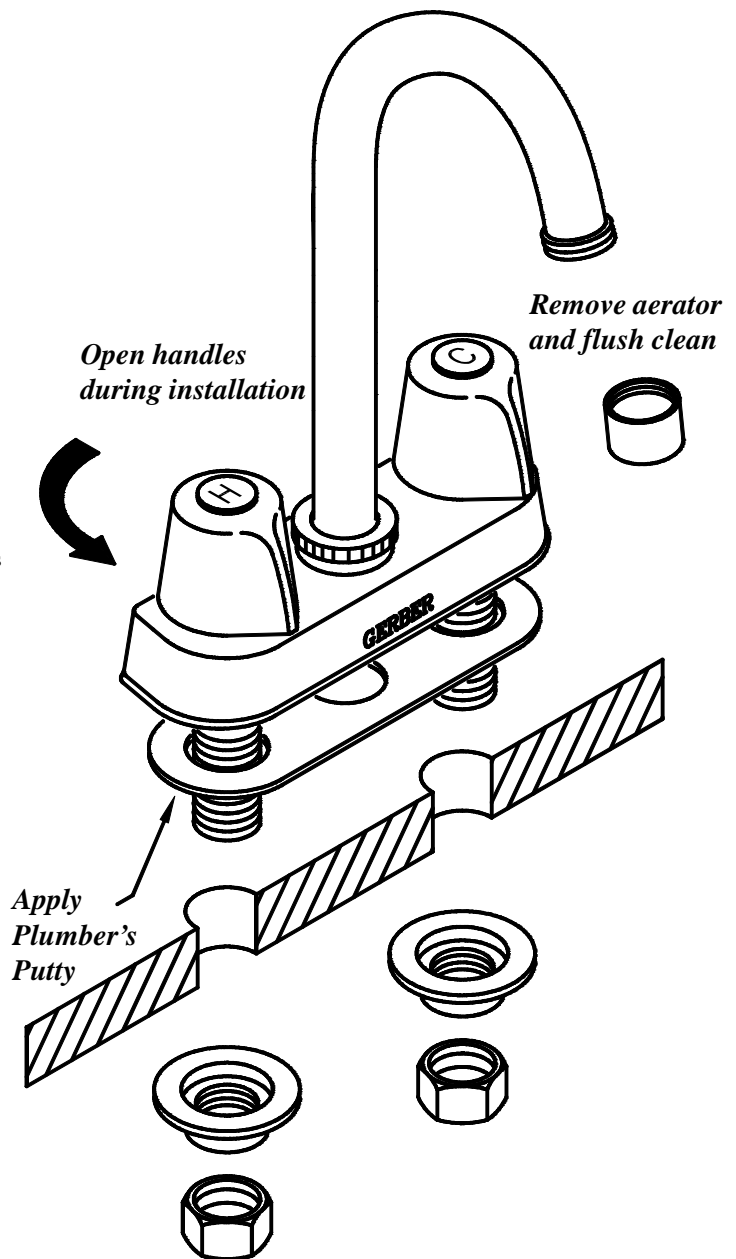
ACABADOS DECORATIVOS

El uso de ceras 100% no abrasivas, tal como la TURTLE WAX T136 (CERA DE TORTUGA T-15) aplicada con un paño de algodón, limpiara y dara brillo a las superficies y dara proteccion para que la limpieza sea mas facil. Si le das el cuidado apropiado, tu nuevo producto GERBER te dara muchos años de servicio sin problemas. Limpialo solo con paños humedecidos que sean 100% de algodón. **NO** usar detergentes. limpiadores u otros materiales abrasivos ya que pueden dañar el acabado y anulr la garantia.

HENCO EN LOS ESTADOS UNIDOS DE AMERICA.

Installation du GERBER® Robinet:

1. Retirer le robinet de son emballage.
2. Placer le joint d' étanchéité (29) sur la surface inférieure du robinet.
3. Étendre du mastic à plomberie ou tout autre scellant sur la surface inférieure du joint d' étanchéité (29).
4. Glisser le robinet dans les trous de fixation.
5. Serrer les contre-écrous synthétiques (25) à la main sur les tiges du robinet.



6. Placer la robinet dans la position désirée et serrer solidement les contre-écrous (25) à la main.
7. Raccorder l' alimentation de l' eau à l' aide des écrous fournis (26).
8. Enlever l' aérateur (2, 3); faire couler l' eau chaude et l' eau froide. Replacer l' aérateur et vérifier l' étanchéité de tous les joints.

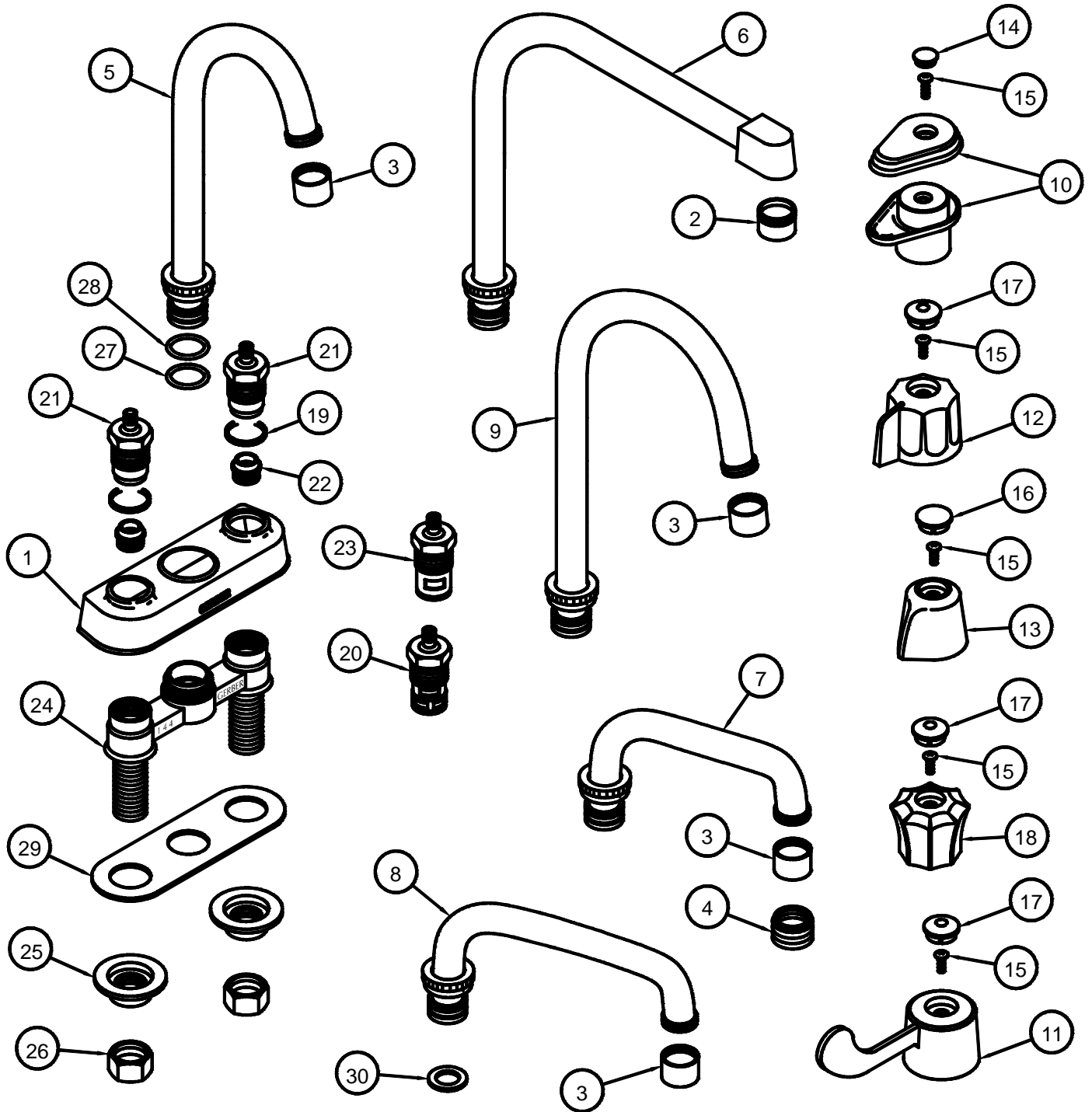
POUR LES BECS COMMERCIAUX SEULEMENT:

Après avoir installé le robinet, enlever le bec (9) du robinet (24). Placer l' anneau en laiton (30) dans le robinet. Replacer le bec (9) et le serrer de façon qu' il bouge plus.

APPRÊT DÉCORATIF:

Pour un nettoyage facile et des surfaces qui brillent, appliquez, à l' aide d' un tissu 100% coton, une cire 100% non abrasive telle que la TURTLE WAX T136. Cette cire assurera une protection qui facilitera le nettoyage. Avec les soins adéquats, votre nouveau produit GERBER ne vous causera aucun souci et vous donnera satisfaction pendant de nombreuses années. Pour le nettoyage, n' utiliser qu' un tissu 100% coton, légèrement humide. **NE PAS** utiliser de détergents, de nettoyeurs ou autres matières abrasives car ces produits pourraient endommager le fini et annuler la garantie. **FABRIQUÉ AUX É.-U.**

The Anatomy of Your Gerber Faucet



Thank you for buying GERBER products!

Bar and Laundry Faucet Identification Chart

ITEM #	DESCRIPTION	UNFINISHED	CHROME	BRASS	BISCUIT
WHITE					
1	Shell 4"	92-615	H2-615-PV	A2-615	W2-615
2	Male Flow Reducer Aerator	91-572	H1-572	A1-572	W1-572
3	Female Flow Reducer Aerator	92-382	H2-382	A2-382	W2-382
4	Hose Adapter Assembly	98-300			
5	Spout Goose Neck with Aerator	98-246	H8-246	A8-246	W8-246
6	Spout E-Z Filler with Aerator	98-251	NONE	A8-251	W8-251
7	6" Swing Spout with Aerator	98-243			
	6" Swing Spout with Hose Adapter	98-242			
8	8" Swing Spout with Aerator	98-221			
	8" Swing Spout with Hose Adapter	98-218			
9	Commercial Goose Neck with Aerator	98-256			
10	Gerber Hardwater Handle	97-930	97-937	97-934	97-936
	Gerber Hardwater Handles / Pair	50-000	50-017	50-014	50-016
11	Wrist Handle Set	98-879			
12	Small Lever Set	60-100; 98-830 hot / 98-831 cold			
13	Handle Standard Small Assembly / Hot	97-908			
	Handle Standard Small Assembly / Cold	97-909			
	Handle Standard Small Assembly / Pair	60-000			
14	Index Button	94-211	H4-211-P	A4-211	W4-211
15	Handle Screw	90-700			
16	Index Button / Hot	94-251			
	Index Button / Cold	94-252			
17	Index Button / Hot	94-445			
	Index Button / Cold	94-446			
	Index Button Set, Commercial	97-818			
18	Small Crystallite Handle Set Assy. / Hot	98-425			
	Small Crystallite Handle Set Assy. / Cold	98-426			
	Small Crystallite Handle Set Assy. / Pair	85-340			
19	Washer (Supplied with all Cartridges)	90-331			
20	Washerless Stem Assy. / Hot	98-710			
	Washerless Stem Assy. / Cold	98-711			
21	Compression Stem Assy. / Hot	98-688			
	Compression Stem Assy. / Cold	98-689			
22	Brass Seat	90-161			
23	Ceramaflow Stem Assy. / Hot	86-987			
	Ceramaflow Stem Assy. / Cold	86-986			
24	Body	Not Serviced			
25	Synthetic Locknut	97-800			
26	Supply Nut	91-000			
27	O-Ring	92-660			
28	O-Ring	92-730			
29	Putty Plate	92-871			
30	Brass Washer Anti-swivel	97-307			

CAUTION:
Do Not Use
Scouring Pads,
Acid-Based Chemicals,
or Abrasive Cleaners!
See the warranty below.

GERBER PLUMBING FIXTURES

BRASS WARRANTY

LIMITED LIFETIME WARRANTY - RESILIENCE™ (PVD) FINISHES GPF warrants that products with Resilience™ (PVD) Polished Brass and Brushed Nickel finishes will be free from defects in material and workmanship of the finish for as long as it is owned by the original purchaser. If the Resilience (PVD) finish proves defective upon inspection by GPF after the unit has been returned, then GPF will repair or replace such part, at GPF's option, free of charge.

LIMITED LIFETIME WARRANTY - CERAMAFLW™ CERAMIC DISC CARTRIDGE GPF warrants that the ceramic disc cartridge (the valve control of the faucet) will not leak or drip for as long as it is owned by the original purchaser. If the ceramic disc cartridge malfunctions or proves defective upon inspection by GPF after the valve has been returned, then GPF will repair or replace such part, at GPF's option, free of charge.

TEN (10) YEAR LIMITED WARRANTY - COMPRESSION/WASHERLESS CARTRIDGE GPF warrants that the washerless or compression type cartridge (the valve control of the faucet) will not leak or drip for a period of ten (10) years from the date of original purchase, as shown on the original consumer-purchaser's receipt. If the washerless or compression type cartridge malfunctions or

proves defective upon inspection by GPF after the valve has been returned, during the 10-year warranty period, then GPF will repair or replace such part, at GPF's option free of charge. This Ten (10) Year Limited Warranty only applies to repair or replacement of defective washerless or compression type cartridges. Normal wear of washers, seats, o-rings, sealants and lubricants is not subject to the 10-Year Warranty.

TWO (2) YEAR LIMITED WARRANTY ON OTHER PARTS GPF warrants to the original consumer-purchaser of this product that for a period of two (2) years from the date of original purchase, this product will be free from defects in material and workmanship under normal, reasonable use in accordance with product instructions. All faucets installed in accepted commercial installations carry a one (1) year limited warranty. All labor, shipping, and freight costs and any other charges incidental to warranty and service are to be borne by the original consumer-purchaser. GPF agrees, at GPF's option, to repair or replace this product or any part thereof, which proves, upon inspection by GPF after such product is returned, to be defective in material or workmanship.

GPF will not be liable for any labor, shipping, freight, or any other charges incurred by the original consumer-purchaser in acting upon the above warranties. Installation or use of the faucet or valve not in accordance with product instructions or improper use, abuse or neglect of, or accident to, the faucet or valve will void the above warranties.

To receive replacement or repair of either the ceramic disc cartridge,

washerless or compression type cartridge or another part of this product, send the defective part, together with the original sales receipt or a copy thereof, showing the date of purchase, to:

Gerber Plumbing Fixtures LLC
 1514 W. Washington Street
 Delphi IN 46923
 ATTN: Customer Service

If the Federal Consumer Product Warranties Act applies to the original purchaser of this product, then any implied warranties which may be applicable under state law, such as any implied warranty of merchantability or any implied warranty of fitness for a particular purpose, are limited with respect to the ceramic disc cartridge to twenty (20) years, washerless or compression type cartridge to ten (10) years and with respect to all other parts to two (2) years.

Other than as described above, GPF disclaims any and all other warranties, express or implied, including any warranties of merchantability or fitness for a particular purpose. In no event shall Gerber Plumbing Fixtures Corp. be liable to anyone for incidental or consequential damages.

The above warranties give you specific legal rights, and you may also have other rights which vary from state to state. Certain federal and state laws may limit or disallow disclaimers of incidental or consequential damages and/or limitations on implied warranties.

May 2003