



# GERBER

## 40-029 Series Viper™ Single Handle Lavatory Faucet



### Features:

- One or three hole installation
- Ceramic disc cartridge GA507906N
- Includes metal touch down drain GA505918 with color-matching cap and chrome plated tailpiece
- Chrome, brushed nickel or tumbled bronze finish
- 1.2 gpm (4.5 L/min) maximum aerator GA66D32862N @ 60 psi
- Deck plate G0097589 sold separately for 3 hole installation
- Lead free waterway per NSF/ANSI 372
- Fully ADA compliant
- Limited lifetime warranty
- Meets CEC requirements

### Standards & Certifications:

- ASME A112.18.1M
- NSF/ANSI 372
- IAPMO/cUPC
- ICC/ANSI A117.1
- Mass Code
- EPA/WaterSense

### Catalog Numbers:

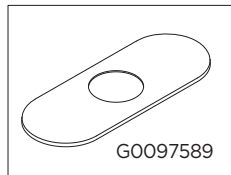
- 40-029** Metal touch down, Chrome  
**40-029-BN** Metal touch down, Brushed Nickel  
**40-029-BR** Metal touch down, Tumbled Bronze

### Prefixes Available:

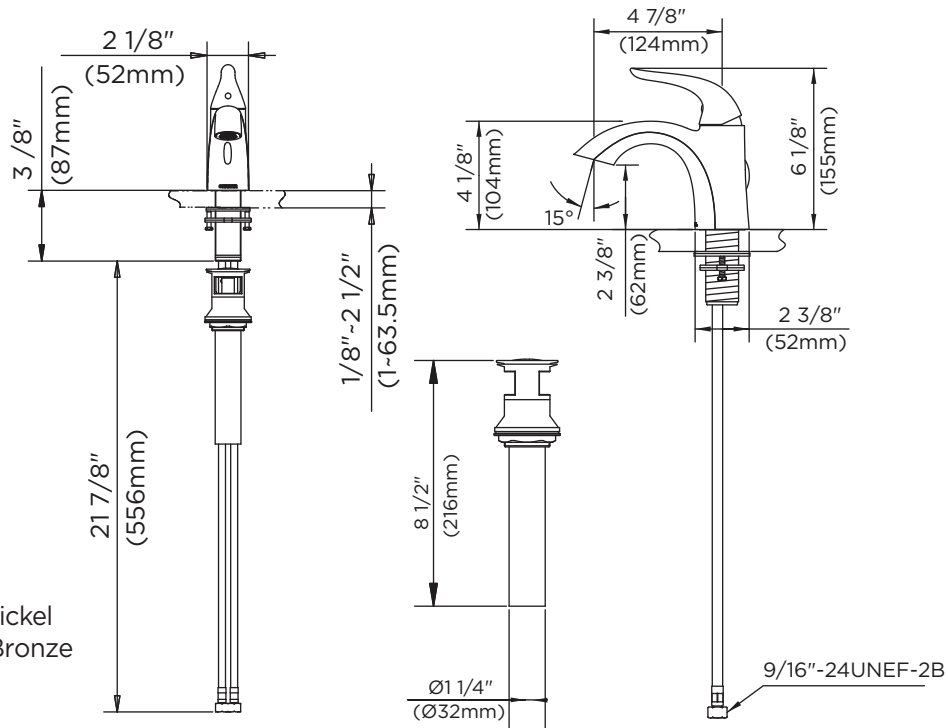
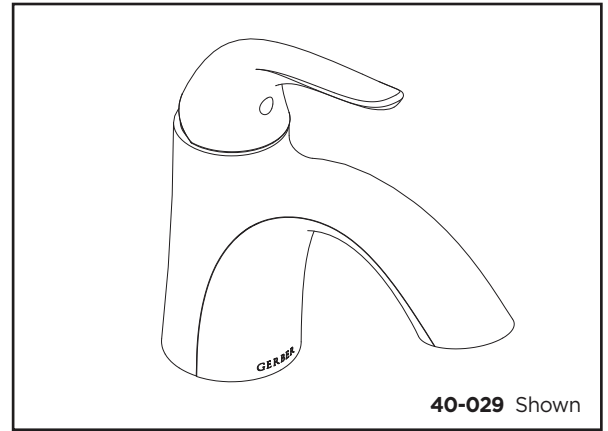
None

### Suffixes Available:

- BN Brushed Nickel  
 -BR Tumbled Bronze



G0097589



Job Name	
Date	
Model Specified	
Quantity	
Customer	
Contractor	
Architect/engineer	

Gerber Toll Free Technical Support: 1-888-648-6466  
www.gerberonline.com