



GERBER

VITREOUS CHINA
NH-12-661

LAVATORIES

TOILETS

BIDETS / URINALS

CAST IRON

MONTICELLO Hygienic Hospital Basin

Features:

- Deep basin with sloped angles to minimize splashing and contamination
- Offset drain to reduce splashing and contamination from direct contact from water stream
- Sealed overflow to eliminate hazards of germ collection
- Punched for use with a concealed arm carrier
- Made of highest quality vitreous china
- Single Hole Configuration



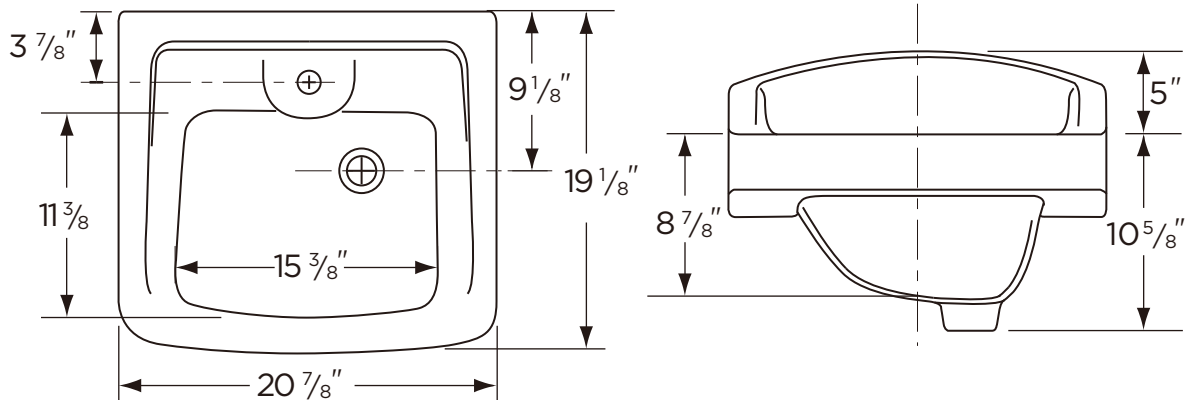
Dimensions:

Height.....15 5/8"
 Width.....20 7/8"
 Depth.....19 1/8"
 Back Splash Height.....5"
 Shipping Weight.....46 lbs

Warranty:

- **Limited Lifetime Warranty**

Catalog # NH-12-661 Shown



| | |
|--------------------|--|
| Job Name | |
| Date | |
| Model Specified | |
| Quantity | |
| Customer | |
| Contractor | |
| Architect/engineer | |

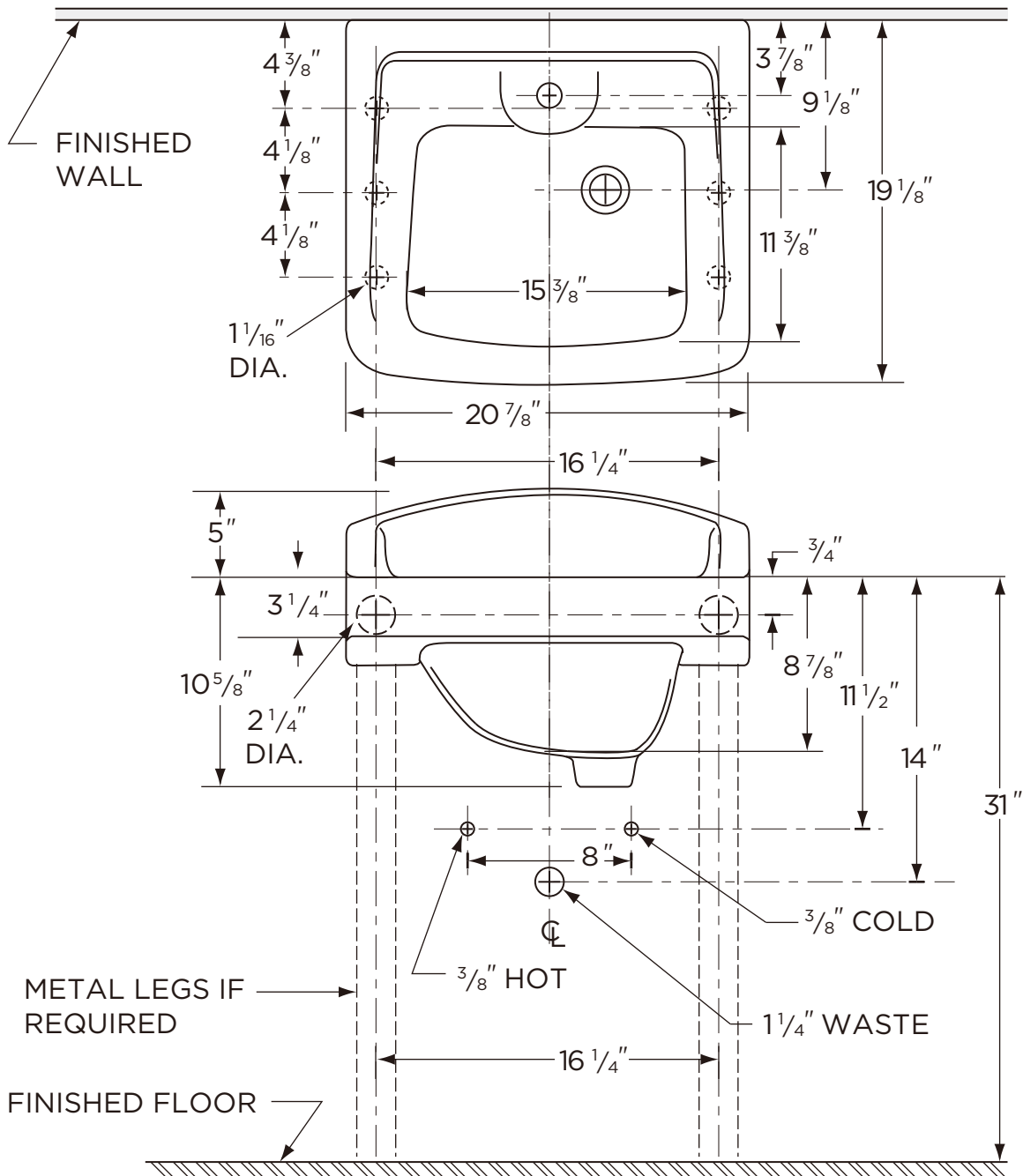


www.gerberonline.com



GERBER

MONTICELLO™
NH-12-661
Hygienic Hospital Basin



NOTES:

All dimensions are in inches.
This product is Z-8000 compliant.
*Punched for use with concealed arm carrier.
Illustrations may not be drawn to scale.
PLUMBERS NOTE:
Provide suitable reinforcement for all wall supports.

IMPORTANT:

Dimensions of fixtures are nominal and may vary within the range of tolerances established by ASME Standard A 112.19.2.