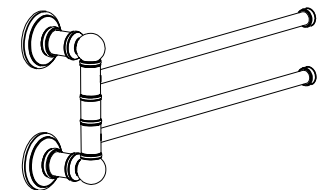
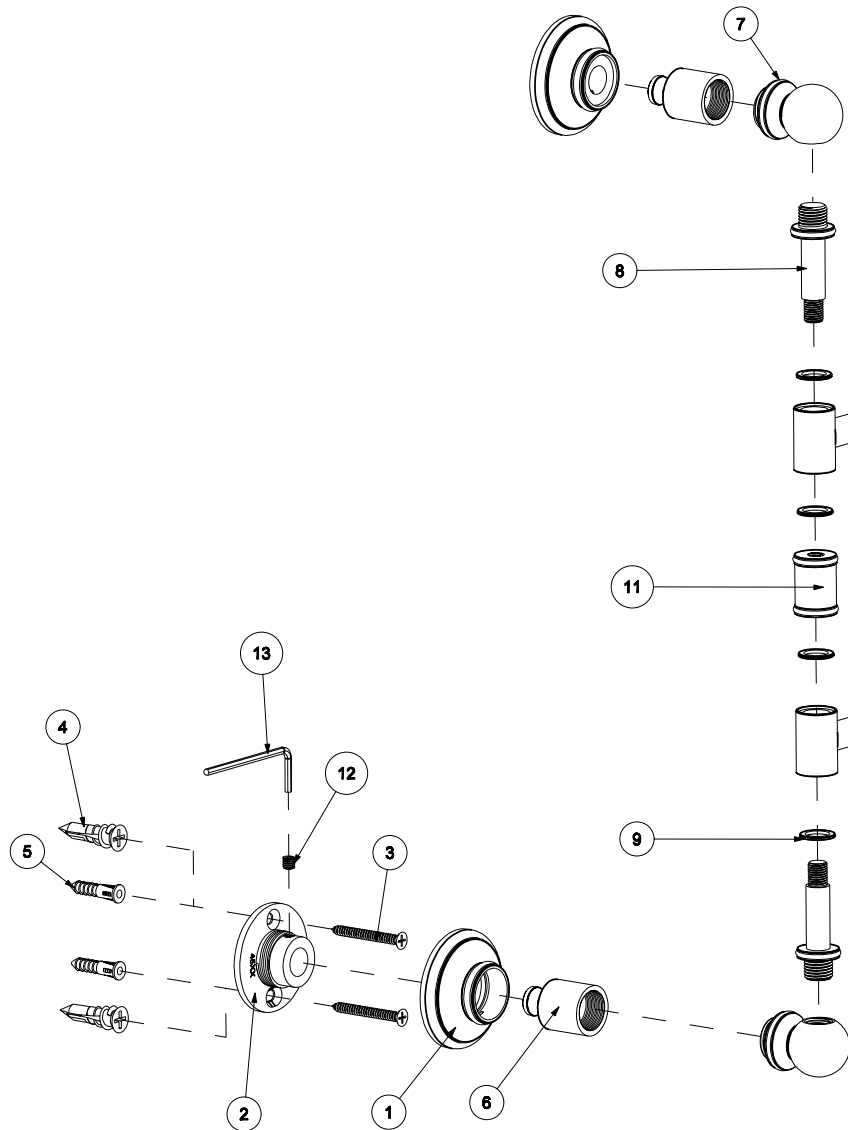
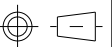


BILL OF MATERIAL

ITEM	PT/ASSY	DESCRIPTION	TYPE	QTY.	DWG.NO.
1	4500	ROSETTE	PART	2	45A-003
2	45XX	MOUNTING FLANGE	PART	2	45A-002
3	8_1_5PFZ	NO.8 x 1-1/2" PHILLIPS FLAT HEAD	PART	4	-
4	SSPM	DRYWALL ANCHOR	PART	4	-
5	GCA	NO. 8 -10 WALL ANCHOR PLASTIC	PART	4	-
6	4522SP	DOUBLE TOWEL BAR POST	PART	2	45A-009
7	4522SF	SWINGING TOWEL BAR FINIAL	PART	2	45A-010
8	4522SR	SWINGING TOWEL BAR RISER	PART	2	45A-012
9	4522SB	SWING TOWEL BAR BUSHING	PART	4	45A-011
10	4522SA	SWINGING TOWEL BAR ARM	PART	2	45A-011
11	4522SC	COUPLER	PART	1	45A-012
12	SM5-5S	M5 x5 STAINLESS STEEL SET SCREW	PART	2	-
13	M2_5HK	2.5MM ALLOY STEEL HEX KEY	PART	1	-
14	4522SAF	FINIAL	PART	2	45A-011



SCALE 0.150



FINISHES:AGD- ANTIQUE GOLD, AS- ANTIQUE SILVER , 10B- OIL RUBBED BRONZE,14- POLISHED NICKEL, 15- SATIN NICKEL, 26 POLISHED CHROME

MATERIAL: STAINLESS MOUNTING HARDWARE, VARIOUS BRASSES

PART NO. 4522S

DOUBLE SWING TOWEL BAR

DATE:6.29.07

REV.DATE

REV.A

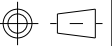
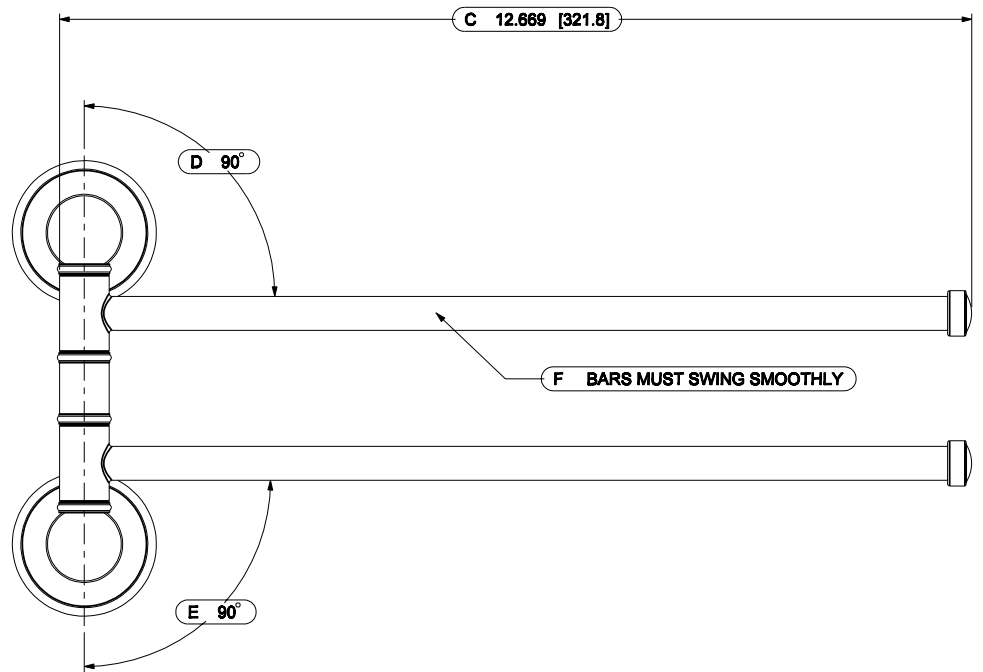
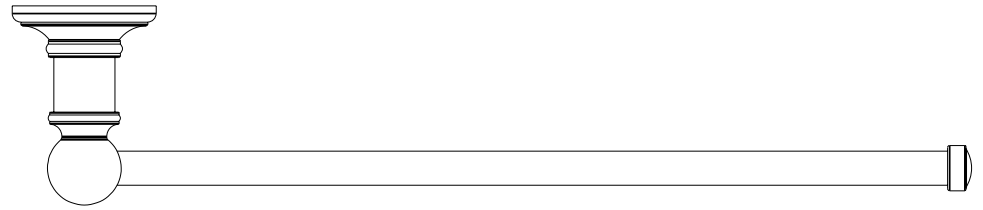
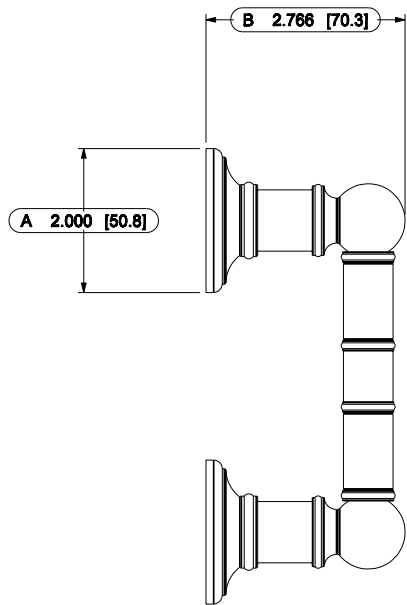
SCALE 5:16

COLUMNAR

GINGER

DWG.NO.

4522S



FINISHES:AGD- ANTIQUE GOLD, AS- ANTIQUE SILVER , 10B- OIL RUBBED BRONZE,14- POLISHED NICKEL, 15- SATIN NICKEL, 26 POLISHED CHROME

MATERIAL: STAINLESS MOUNTING HARDWARE, VARIOUS BRASSES

PART NO. 4522S

DOUBLE SWING TOWEL BAR

DATE:6.29.07

REV.DATE

REV.A

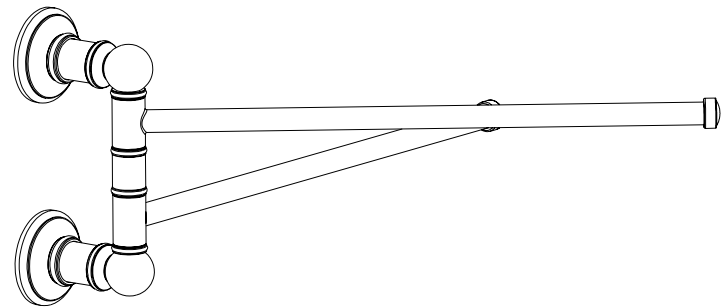
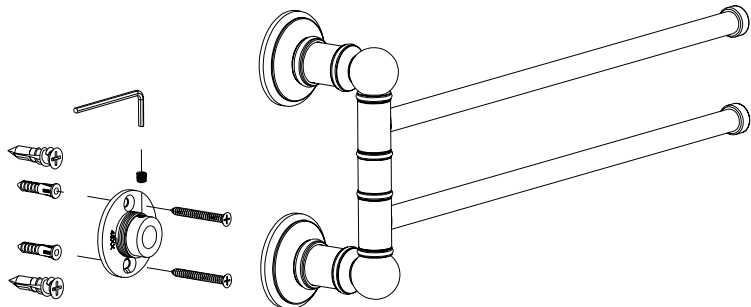
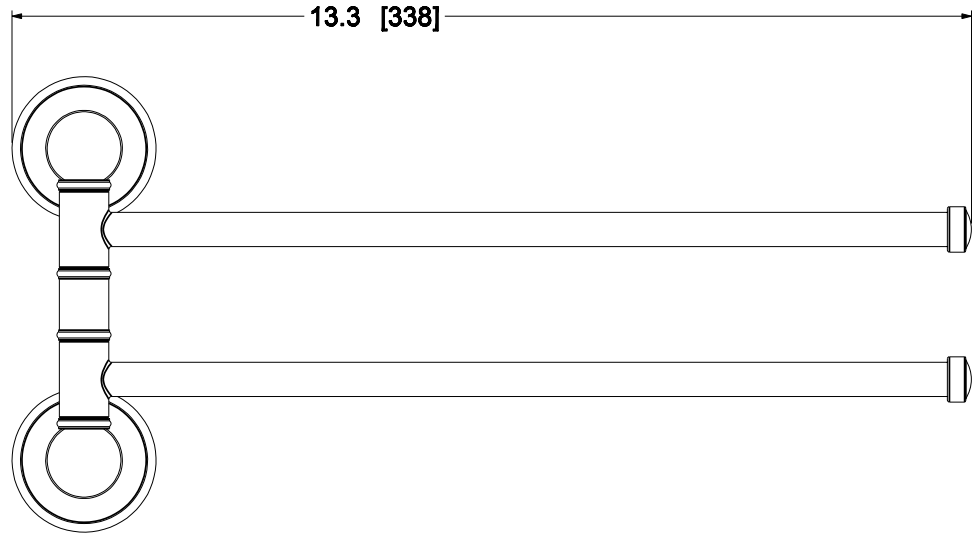
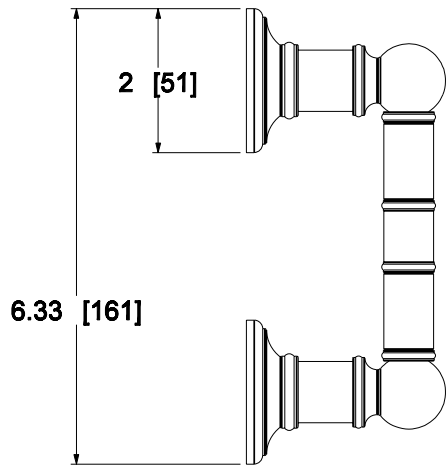
SCALE 3:8

COLUMNAR

GINGER

DWG.NO.

4522S



FINISHES: 00- ANTIQUE GOLD, 08- ANTIQUE SILVER, 10B- OIL RUBBED BRONZE, 14- POLISHED NICKEL, 15- SATIN NICKEL, 26 POLISHED CHROME		UNIT: INCH [MM]
MATERIAL: VARIOUS BRASSES, STAINLESS STEEL MOUNTING HARDWARE		WEIGHT: 2 LBS [907 G.]
PART NO.	4522S	PIVOTING DOUBLE TOWEL BAR
DATE: 4.12.07	REV. DATE:	SCALE 3:8
		COLUMNAR

GINGER
 DWG. NO.
 PD-4522S

