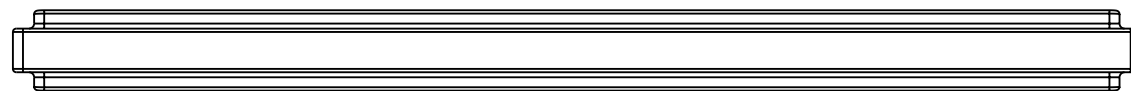
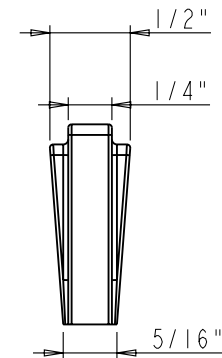
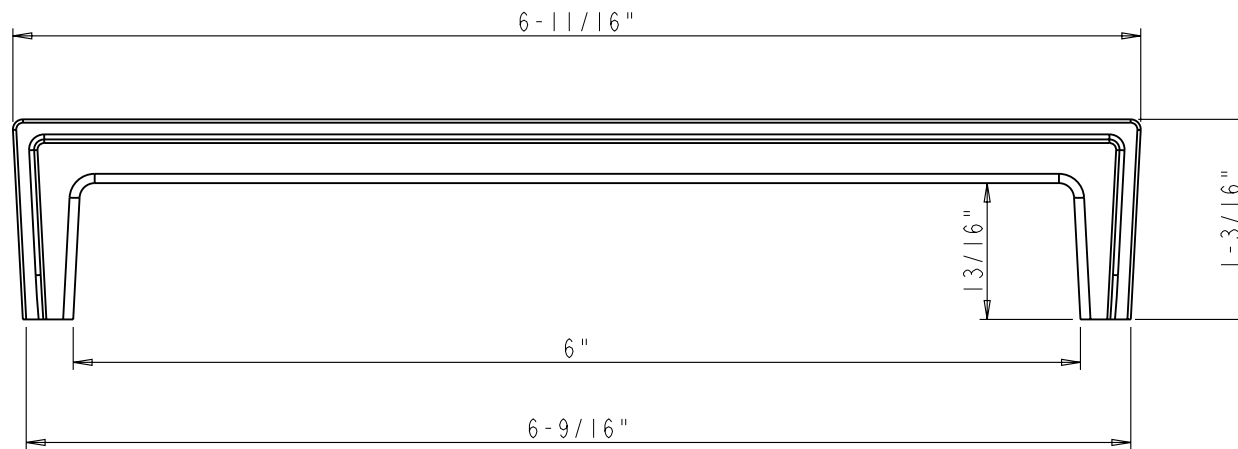
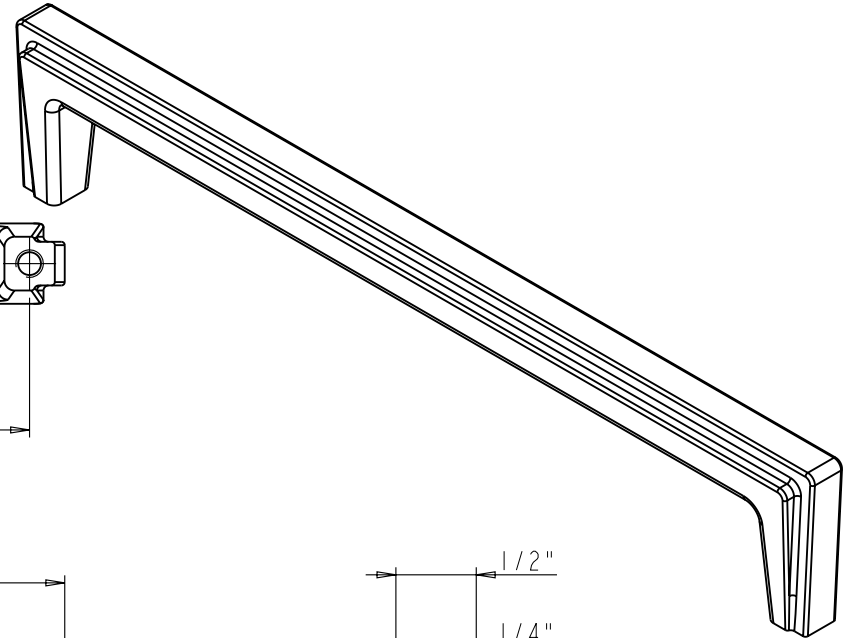
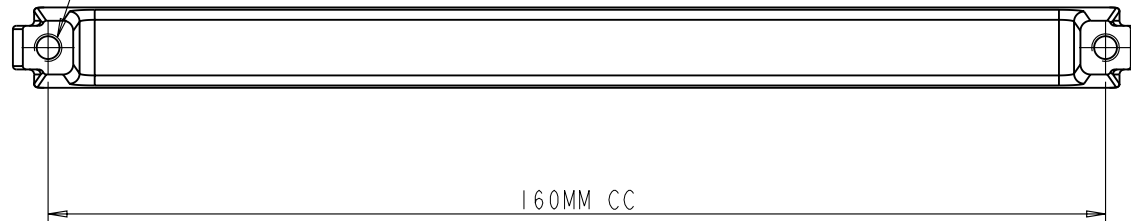


8-32 UNC - DRILL DEPTH 5/8"
SCREW DEPTH 1/2"



	ITEM#: 259-160		MATERIAL: ZINC	
	FINISH:		WEIGHT: 124.10 g	
PROPRIETARY AND CONFIDENTIAL THE INFORMATION CONTAINED IN THIS DRAWING IS THE SOLE PROPERTY OF HARDWARE RESOURCES INC. ANY REPRODUCTION IN PART OR AS A WHOLE WITHOUT THE WRITTEN PERMISSION OF HARDWARE RESOURCES INC. IS PROHIBITED.	TOLERANCE UNLESS OTHERWISE SPECIFIED:		PROJECTION:	
	UNIT:	DRAWN BY:	DATE:	
	SIZE:	CHECKED BY:	DATE:	
	APPROVED BY:	DATE:		
	X: MM ±0.20 X.X: MM ±0.10 X.XX: MM ±0.05 ANGULAR: ±0.5° DO NOT SCALE DRAWING	alan.liu		