



Kingston™

two-piece elongated 1.28 gpf toilet with locks

K-25087-T

Features

- Ideal for commercial installations.
- Two-piece toilet.
- Elongated bowl offers added room and comfort.
- 1.28 gallons per flush (gpf).
- Durable metal left-hand Polished Chrome trip lever included.
- 2-1/8" fully glazed trapway.
- Tank locks included.
- Easy-to-service silicone seal.
- Sanitary guard where the bowl and tank meet for ease of cleaning.
- Encapsulated bolts to prevent rusting and corrosion.
- Combination consists of the K-25086 bowl and K-25100-T tank.



Technology

- Single-flush gravity uses the force of gravity and a precision-engineered tank, bowl and trapway to create a strong siphon during flushing.
- Class Five® flushing technology offers virtually plug-free performance and rinsing power for a clean bowl.
- Class Five® canister allows water to flow out of the tank from all sides (360 degrees), increasing the power and effectiveness of the flush.
- Flush valve's 3:2 ratio harnesses the natural force of gravity and optimizes flush performance.
- Durable canister design has 90% less exposed seal material than a 3" flapper, for virtually leak-free performance.

Installation

- Three-bolt quick-connect installation.
- Standard 12" rough-in.
- Seat and supply line not included.

Recommended Products/Accessories

- K-7637 Angle Supply with Stop (single)
- K-20110 Brevia™ Quiet-Close™ Elongated Toilet Seat
- K-4650-A Lustra™ Elongated Toilet Seat
- K-5420 Low-Profile Bolt Caps

Included Components

Product consists of:

- K-25086 elongated toilet bowl
- K-25100-T toilet tank with locks

Additional Components:

- Bolt cap accessory pack



Codes/Standards

- ASME A112.19.2/CSA B45.1
- DOE - Energy Policy Act 1992
- EPA WaterSense®
- California Energy Commission (CEC)

KOHLER® One-Year Limited Warranty

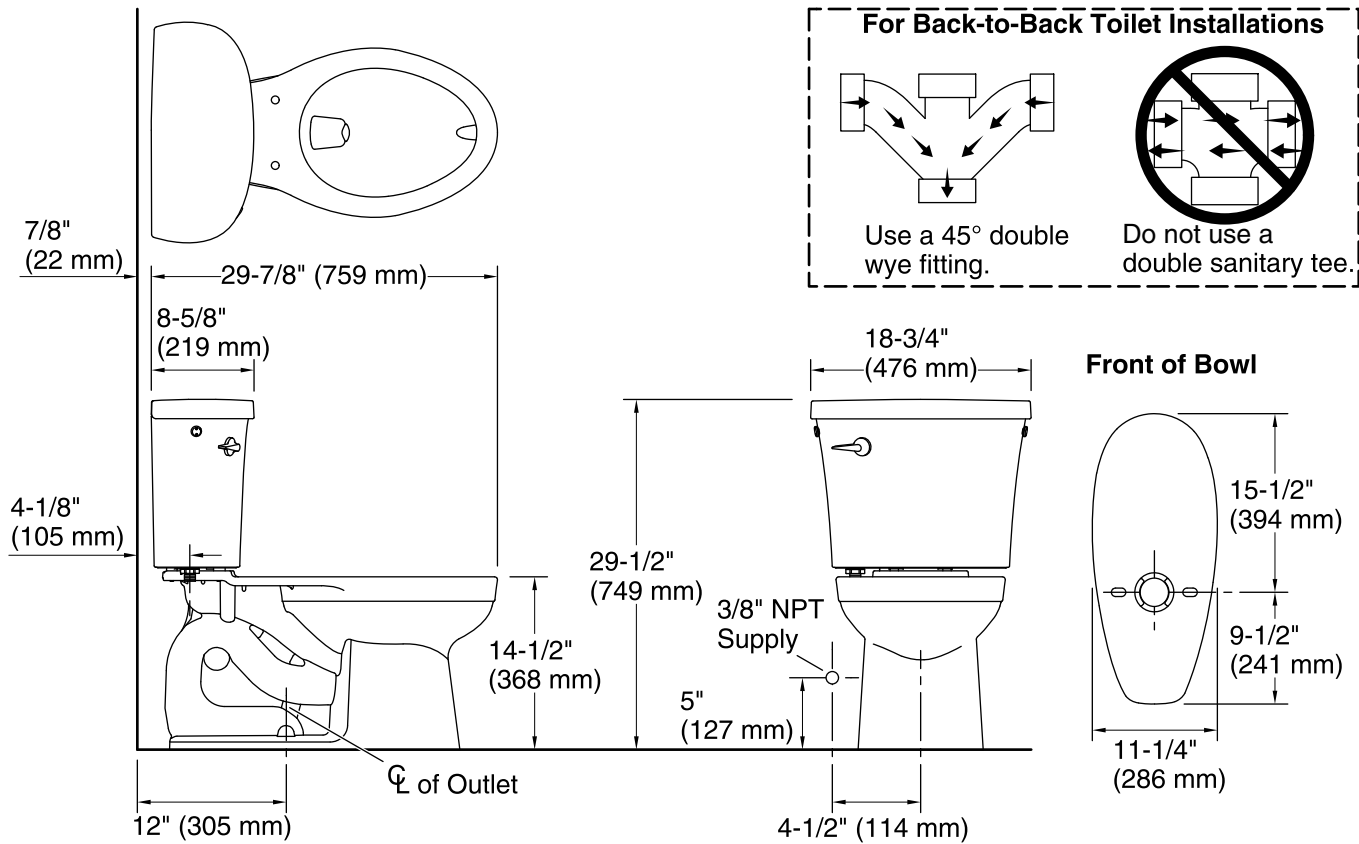
See website for detailed warranty information.

Available Colors/Finishes

Color tiles intended for reference only.

Color Code Description

	0	White
--	---	-------



Technical Information

All product dimensions are nominal.

Toilet type:	Two-piece, Floor-mount
Waste Outlet:	Floor
Bowl shape:	Elongated
Flush type:	Gravity siphon jet
Trap passageway:	2-1/8" (54 mm)
Water Consumption	
Full:	1.28 gpf (4.8 lpf)
Water surface size:	10-13/16" x 7-1/4" (274 mm x 183 mm)
Rim to water surface:	5-5/8" (143 mm)
Rough-in:	12" (305 mm)

Notes

Install this product according to the installation instructions.

For back-to-back toilet installations: Use only a 45° double wye fitting.