



**Irvine™**  
right-hand trip lever  
**K-21265-R**

**Features**

- Right-hand trip lever included.
- For use with the K-20450-RA Irvine™ toilet.

**Material**

- Premium metal construction for durability and reliability.
- KOHLER finishes resist corrosion and tarnishing.

**Recommended Products/Accessories**

K-23723 Faucet cleaner



ADA CSA B651 OBC

**Codes/Standards**






ADA  
ICC/ANSI A117.1  
CSA B651  
OBC

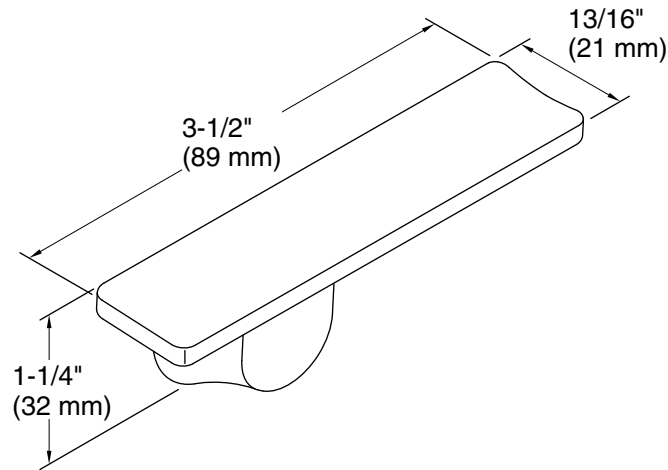
**KOHLER® One-Year Limited Warranty**

See website for detailed warranty information.

**Available Colors/Finishes**

*Color tiles intended for reference only.*

Color	Code	Description
	CP	Polished Chrome
	SN	Vibrant® Polished Nickel
	BN	Vibrant® Brushed Nickel
	2BZ	Oil-Rubbed Bronze
	BL	Matte Black



### Technical Information

All product dimensions are nominal.

Installation Type: Fixture-mount

Material: Metal

### Notes

ADA, OBC, CSA B651 compliant when installed to the specific requirements of these regulations.