



**Square**  
vertical toilet tissue holder  
**K-23289**

**Features**

- Vertical holder makes changing toilet tissue quick and simple.
- Coordinates with other products in the Square collection.

**Material**

- Premium metal construction for durability and reliability.
- KOHLER finishes resist corrosion and tarnishing.

**Installation**

- Installation hardware included.



**Codes/Standards**



None Applicable

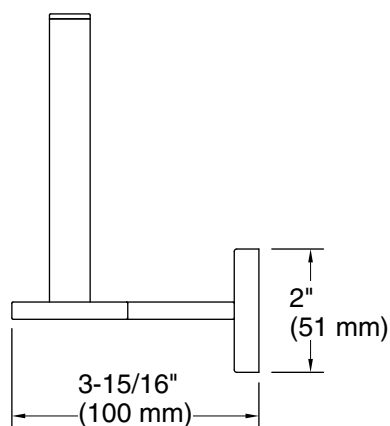
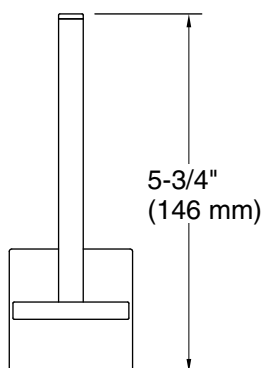
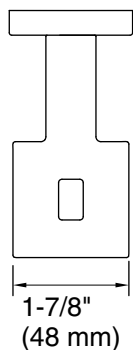
**KOHLER® Faucet Lifetime Limited Warranty**

See website for detailed warranty information.

**Available Colors/Finishes**

*Color tiles intended for reference only.*

Color	Code	Description
	CP	Polished Chrome
	BN	Vibrant® Brushed Nickel



### Technical Information

All product dimensions are nominal.

Material: Zinc, Stainless Steel

### Notes

Install this product according to the installation instructions.

**CAUTION:** Risk of personal injury. Do not install these products in any area where they are likely to be used inadvertently as a grab bar or support bar. These products are not designed or intended for use as a grab bar or support bar.