

Features

- Minimum base cabinet width: 36"–39" (36" may require cabinet modifications).
- Extra-large single bowl.
- 9" depth.
- No faucet holes.
- The increased dimensions of this sink maximize the basin space in a 36" base cabinet.
- Rear drain increases workspace in the sink and allows for more storage space underneath the sink.
- SilentShield® sound-absorption technology offers quieter performance.
- Includes K-6429 dishcloth bar/utility shelf and K-5411 bottom sink rack.
- Includes installation hardware.
- Rounded 10mm corners are easy to clean.

Material

- Handcrafted from 16-gauge stainless steel.

Installation

- Under-mount

Recommended Products/Accessories

K-6667 Wood Cutting Board
K-8801 Sink Strainer (Qty 2)
K-6377 Sponge Caddy
K-6378 Kitchen Brush Caddy
K-6379 Kitchen Squeegee
K-6382 Disinfecting Wipes Dispenser
K-6383 Soap Dispenser
K-8618 Paper Towel Holder
K-8619 Flexible Kitchen Mat
K-8624 Dish Scraper
K-8799 Sink Strainer

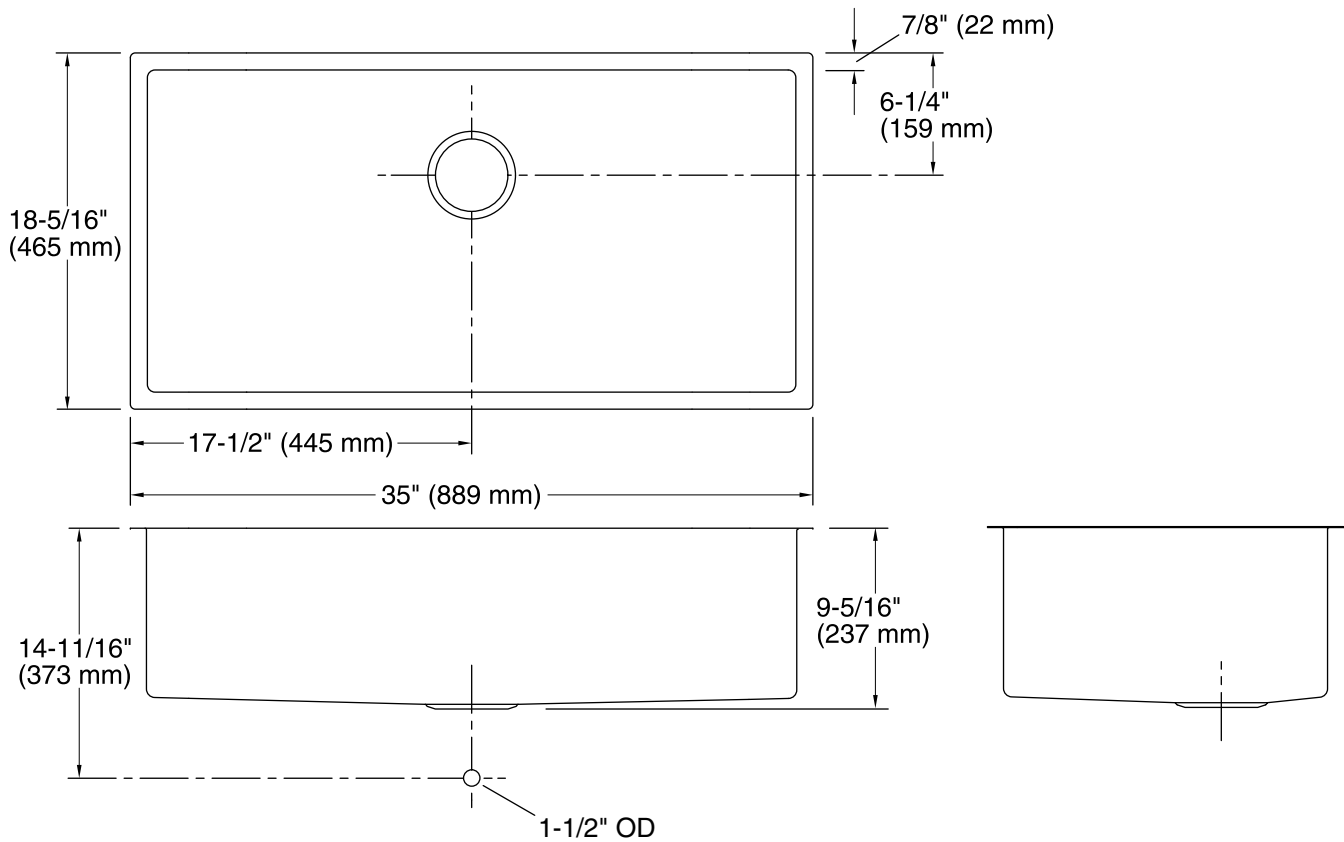


Codes/Standards

ASME A112.19.3/CSA B45.4

Lifetime Limited Warranty for KOHLER® Stainless Steel Sinks

See website for detailed warranty information.



Technical Information

All product dimensions are nominal.

Bowl configuration:	Single
Installation:	Under-mount
Min. base cabinet width:	39" (991 mm)
Bowl area (Only):	Length: 33-1/4" (845 mm) Width: 16-9/16" (420 mm) Bowl depth: 9" (229 mm) Water depth: 9" (229 mm)
Drain hole:	3-3/4" (94 mm)
Template:	1220867-7, required, included

Notes

Install this product according to the installation instructions.

Minimum base cabinet width 36" - 39" (36" may require cabinet modifications). Consult an installer for confirmation.