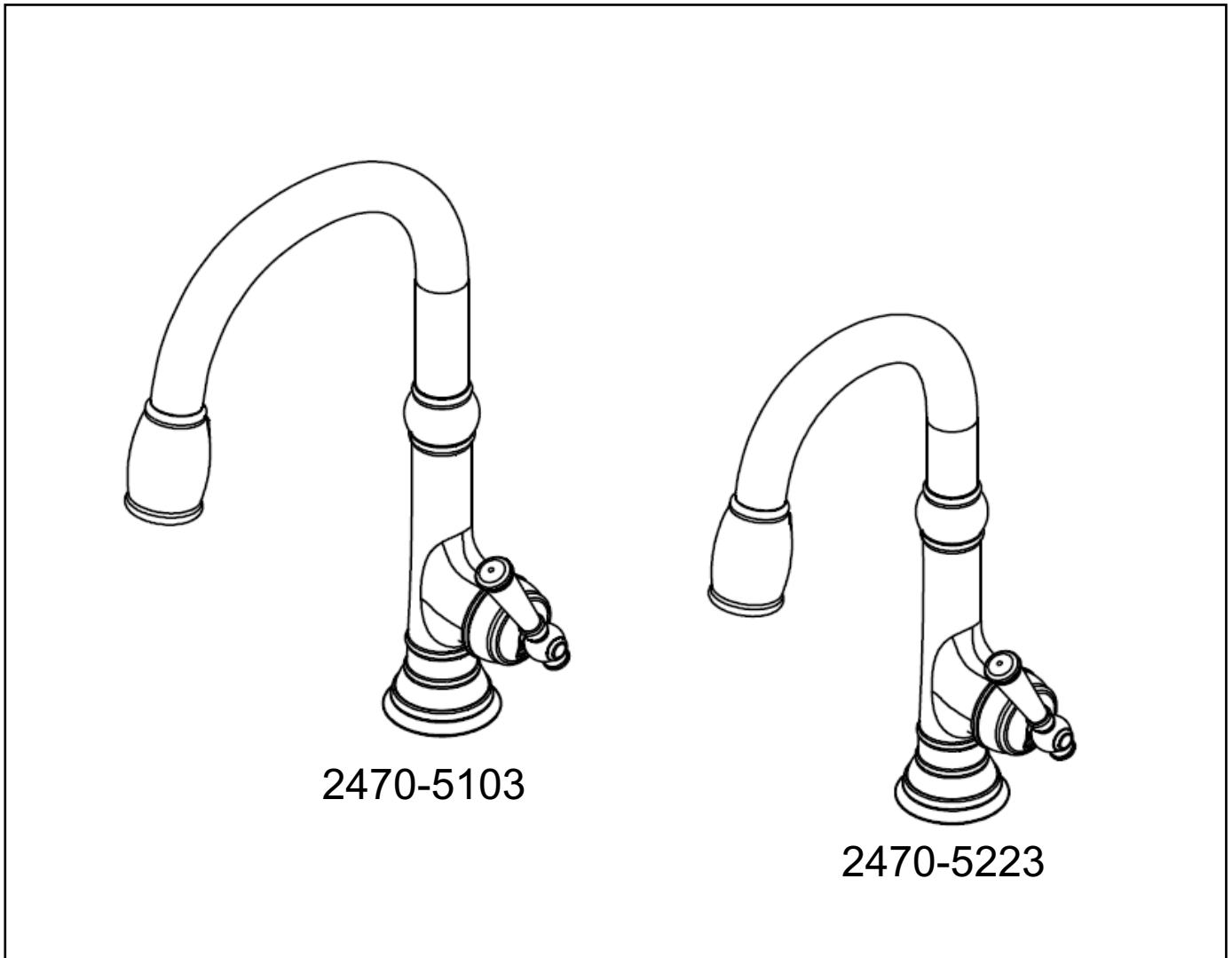


INSTALLATION INSTRUCTIONS
JACOBEN PULL DOWN
KITCHEN FAUCET

NEWPORT BRASS
Flawless Beauty. From Faucet to Finish.™

Model No's: 2470-5103, 2470-5223



**Congratulations on the purchase
of your Newport Brass product,
an excellent choice, that will give you
years of quality service and enhance
the look and style of your home.**

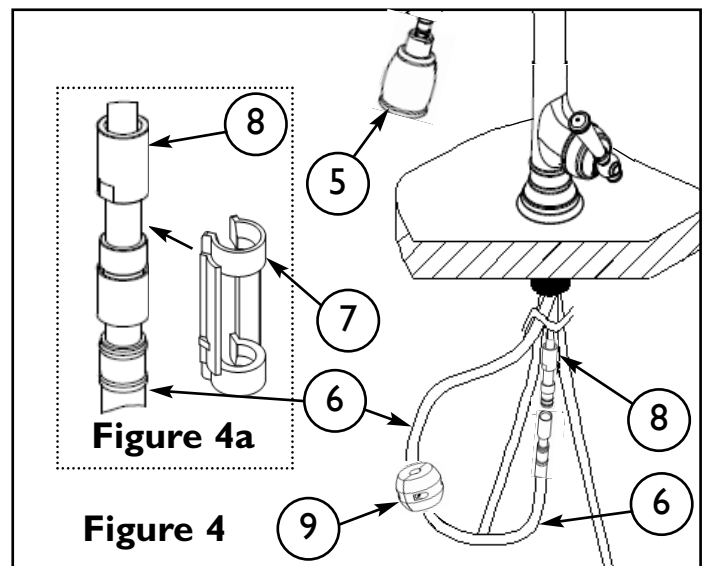
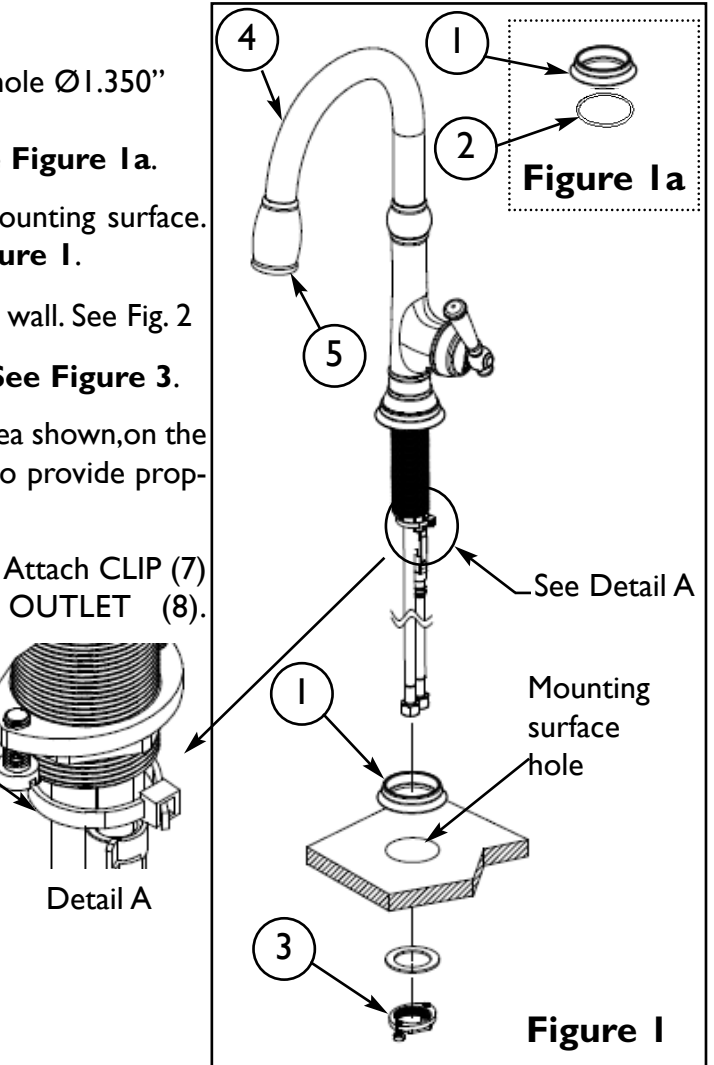
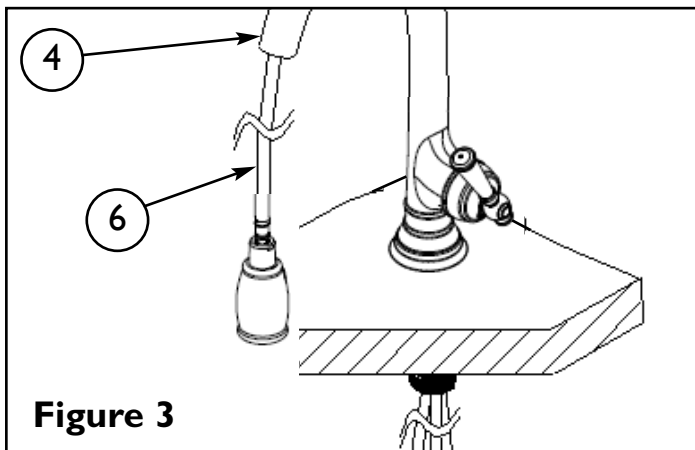
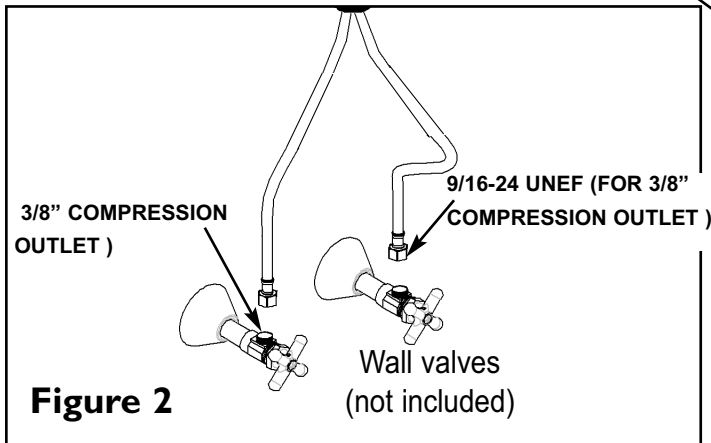
Recommended Installation by a Professional Plumbing Contractor

Note: The use of petroleum base plumbers putty on our products will nullify the warranty. We recommend the use of clear silicone sealing materials.

If mounting faucet to stainless steel rim, an under-mount support, (e.g. wood, appropriate size x 1/2" thick), should be utilized.

1. Drill hole in mounting surface. Recommended deck hole $\text{\O}1.350''$ not to exceed $\text{\O}1.562''$.
2. Place O-ring (2) on underside of base RING (1). See Figure 1a.
3. Insert Hoses through base RING (1) and hole in mounting surface. Secure into place with MOUNTING KIT (3). See Figure 1.
4. Attach hot/cold spout supply directly to valves in the wall. See Fig. 2
5. **DO NOT** remove the HOSE (6) from SPOUT (4). See Figure 3.
6. Attach WEIGHT (9) to HOSE (6) in the appropriate area shown, on the upward swing toward the SPRAYHEAD (5), in order to provide proper pull to hose. See Figure 4.
7. Connect HOSE (6) to valve outlet (8). See Figure 4. Attach CLIP (7) to the connection between HOSE (6) and OUTLET (8). See Figure 4a.

Do **NOT** remove the zip tie and ensure the hose does not rub against the hot/cold supply lines.



8. With faucet in the OFF position, open water supply valves. Inspect connections under sink for leaks. **DO NOT** turn faucet on yet.

9. Pull SPRAYHEAD (5) out from SPOUT (4). While holding HOSE (6), unscrew SPRAYHEAD (5). Aiming HOSE (6) into sink, turn on faucet to center position (mixed) and flush for one minute to remove debris from lines.

10. Turn OFF faucet and reattach SPRAYHEAD (5) to HOSE (6). See Figure 5.

11. Check the SPRAYHEAD (5) by operating the trigger from aerator to spray.

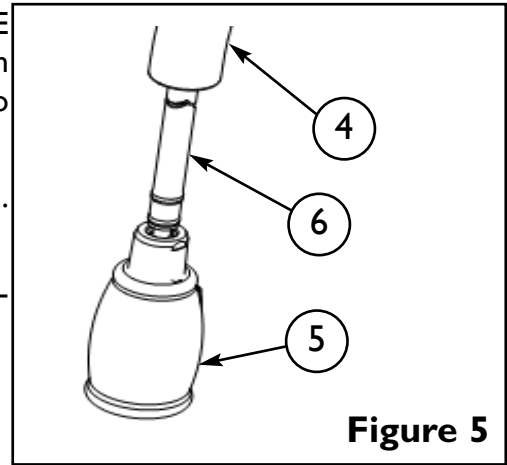


Figure 5

ORDER 12494
FOR 2470-5223

BILL OF MATERIAL (CURRENT LEVEL)				
ITEM	PT/ASSY	DESCRIPTION	TYPE	QTY.
1	2-783	BASE RING ASM	ASSEMBLY	1
2	2-785	MAIN BODY ASM, JACOBEAN	ASSEMBLY	1
3	12753	SPOUT ADAPTER	PART	1
4	91712	SLEEVE	PART	1
5	91030	O-RING, #2- 115, EPDM, 65-75 DURO, NSF 61	PART	4
6	12493	SPOUT	PART	1
7	91544	MAGNET DOCKING	ASSEMBLY	1
8	3-417	SPRAY HEAD, JACOBEAN	ASSEMBLY	1
9	11877	HOSE, PULLDOWN SWIVEL	ASSEMBLY	1
10	1-064	SINGLE LEVER CARTRIDGE	PART	1
11	2-781	CART. RETAINER ASM	ASSEMBLY	1
12	2-793	HANDLE HUB ASM, JACOBEAN	ASSEMBLY	1
13	2-733	HANDLE ASM, JACOBEAN	ASSEMBLY	1
14	92035	SCRW, M4 X .7 X 10 PHL FLT HD SS	PART	1
15	91534	CARTRIDGE STEM INSERT	PART	1
16	91255	O-RING, #2- 011, EPDM, 65-75 DURO, NSF-61	PART	2
17	91568	RETAINER CLIP	PART	1
18	1-256	MOUNTING KIT	ASSEMBLY	1
19	2-778	CAP ASM	ASSEMBLY	1
20	91341	ZIP TIE	PART	1
21	98044	LABEL - HOT	PART	1
22	1-286	WEIGHT ASM	ASSEMBLY	1

Figure 6 - Spare Parts