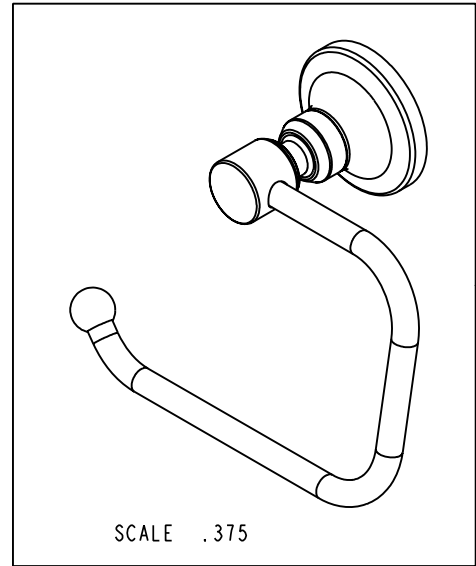
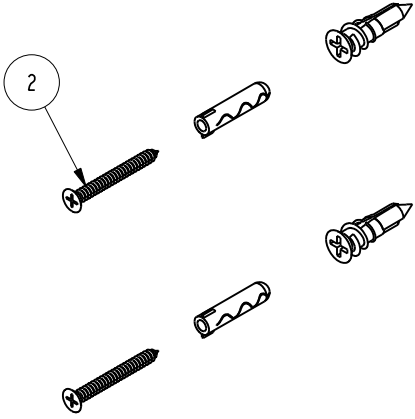
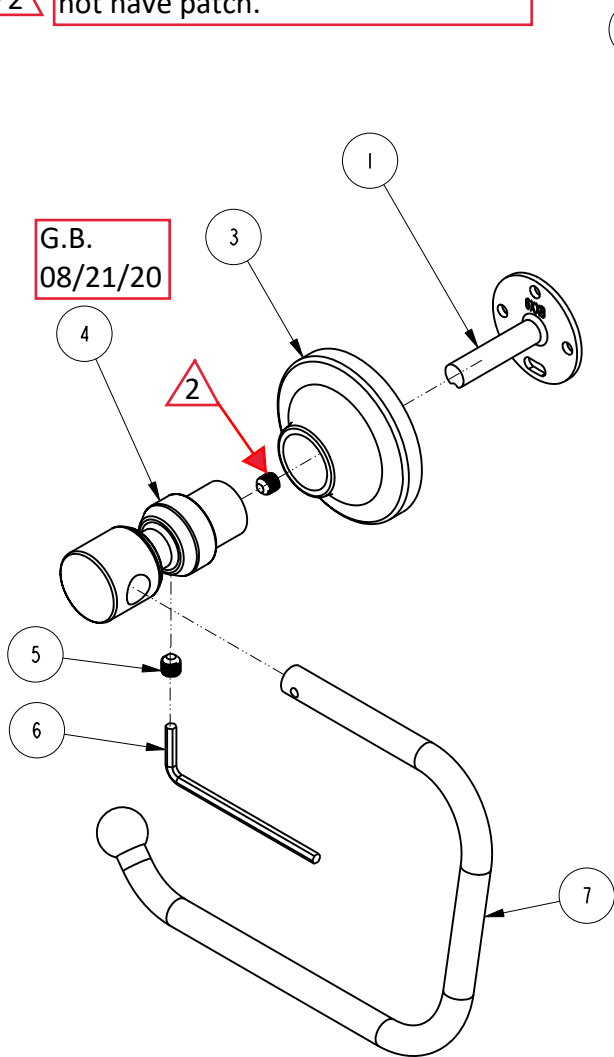


NOTES:

(NI) 1. FIT / FORM / FUNCTION SHALL FOLLOW PS-E.008.

2. Apply loctite 680 if screw does not have patch.

G.B.
08/21/20



BILL OF MATERIAL (CURRENT LEVEL)				
ITEM	PT/ASSY	DESCRIPTION	TYPE	QTY.
1	6XXB	MOUNTING BRACKET	PART	1
2	1-206	HARDWARE PACK	ASSEMBLY	1
3	20-432	ESCUTCHEON ASM	ASSEMBLY	1
4	13171	OPEN TOWEL/TISSUE POST	PART	1
5	92031	SCRW, M6 X 1 X 6 SKT HD CUP PT W/ SELF LOC SS	PART	2
6	10615	HEX KEY, 3MM ALLOY STEEL	PART	1
7	7-725	ROLLER ASM-TISSUE	ASSEMBLY	1

TESTING	-	-	-
ASSEMBLY	-	-	-
PLATING	-	-	-
POLISHING	-	NEXT ASSY	USED ON
MACHINING	-	APPLICATION	
TOOLING FIXTURE #	REMOVE ALL BURRS AND SHARP EDGES		

UNITS ARE: INCHES [MM]
TOLERANCES ARE:
FRACTIONS DECIMALS ANGLES
±1/16" .X ±.1 (2.5) ±1°
.XX ±.06 (1.5)

(X.XXX) DENOTES CRITICAL DIMS.
ALL THREADS ARE CRITICAL

DRAWN MANJUNATH 05/14/19
CHECKED JINSON 05/14/19
APPROVED J.M. 05/14/19

BRASSTECH 2001 CARNEGIE AVE.
INCORPORATED SANTA ANA, CA 92705
(949) 417-5207

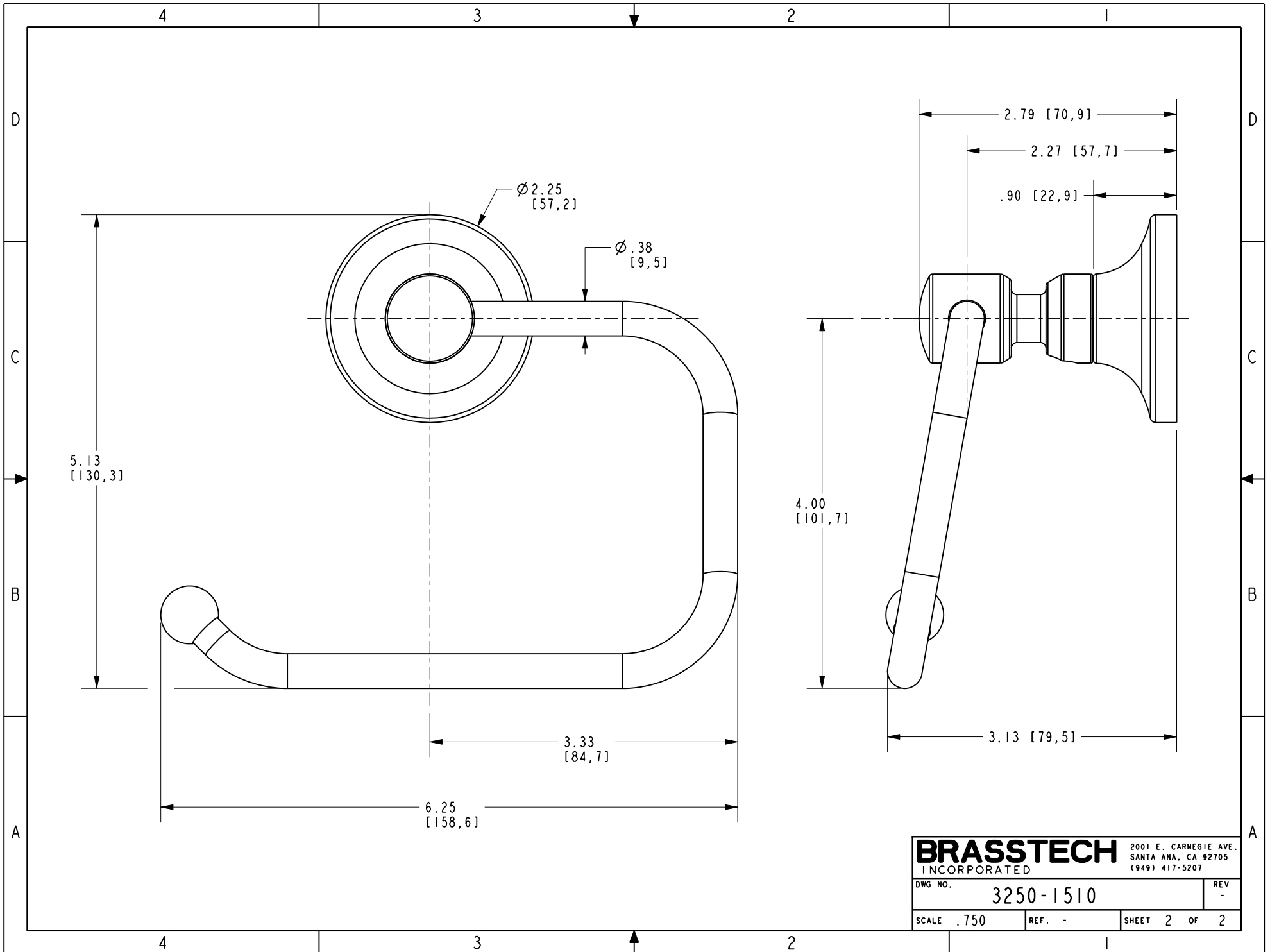
HANGING TT HOLDER

DWG NO. 3250-1510 REV -

SCALE .425 REF. - SHEET 1 OF 2

COPYRIGHT 2005 BRASSTECH, INC.
THESE DRAWINGS AND THE DESIGNS
DEPICTED HEREIN ARE THE PROPRIETARY
PROPERTY OF BRASSTECH. ANY USE
OR REPRODUCTION IS SUBJECT TO
THE EXPRESS APPROVAL OF BRASSTECH.
UNAUTHORIZED USE IS STRICTLY
PROHIBITED. ALL RIGHTS RESERVED.

EN-3852	05/14/19	J.M.		
ZONE	REV	DESCRIPTION	DATE	APPROVED



BRASSTECH		2001 E. CARNEGIE AVE. SANTA ANA, CA 92705 (949) 417-5207	
DWG NO.	3250-1510	REV	-
SCALE	.750	REF.	-
SHEET 2		OF 2	