

**Features**

- Brass Construction
- Euro-motion ceramic disc 40 mm valve cartridge
- 9.25 gallons (35 liters) per minute spout maximum flow rate
- ADA compliant contemporary lever handle with pull-out diverter
- 3/4" braided hot and cold supply lines (with 1/2" adapters)
- 38" (96.5 cm) tub spout height at outlet
- 8-11/16" (22.1 cm) tub spout reach (center-center)
- Contemporary handshower design of resin construction
- 1.8 gallons (6.7 liters) per minute handshower maximum flow rate
- Floor mounting bracket with integral base and escutcheon

**Tub and Handshower Set**  
**2040-4261**



**Codes / Standards Compliance**

Meets or exceeds the following at date of manufacture:

- ASME A112.18.1/CSA B125.1
- IAPMO/cUPC
- ADA
- ICC/ANSI A117.1
- Energy Policy Act of 1992
- EPA Watersense
- All applicable US Federal and State material regulations

**Colors / Finishes**

- 15: Polished Nickel
- 15S: Satin Nickel - PVD
- 26: Polished Chrome

**Specified Model**

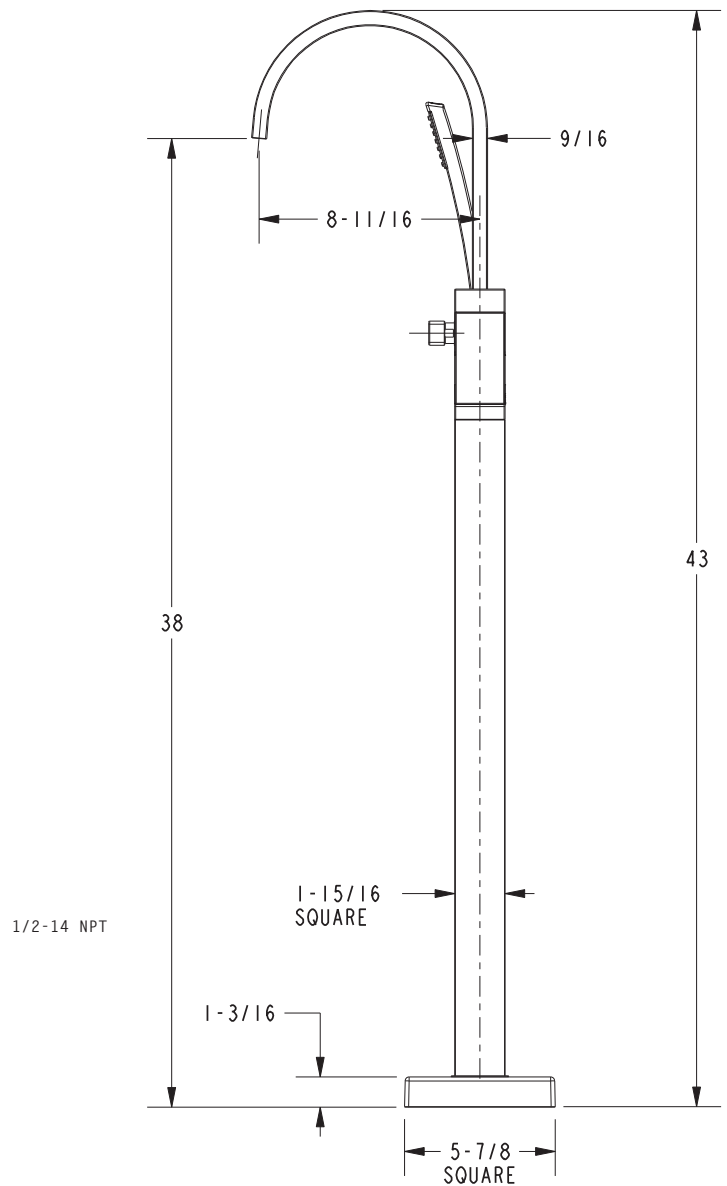
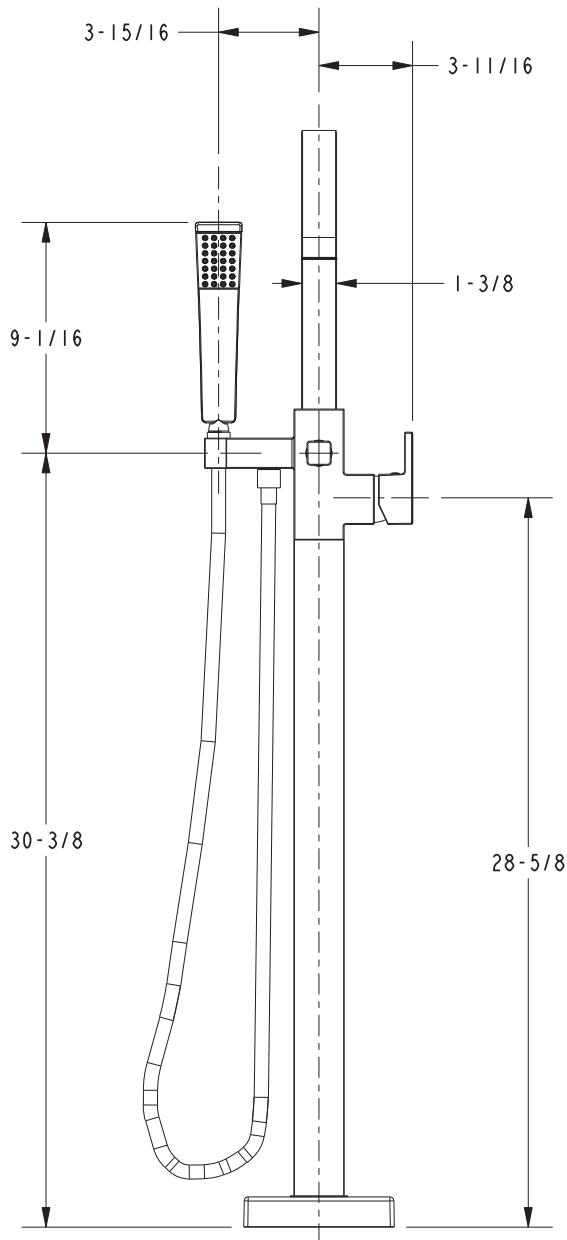
Model	Description	Colors   Finishes
2040-4261	Freestanding Exposed Tub and Handshower Set	<input type="checkbox"/> 15 <input type="checkbox"/> 15S <input type="checkbox"/> 26

**Product Specification:** Add size designator and "Color / Finish" suffix to Model number, below.

The Freestanding Exposed Tub and Handshower Set shall be made of brass construction (with resin handshower). Freestanding Exposed Tub and Handshower Set shall incorporate a Euro-motion ceramic disc 40 mm valve cartridge with ADA compliant contemporary lever handle and pull-out diverter. Product shall be designed for floor-mounted configurations. Product shall have a 38" (96.5 cm) tub spout height at outlet and 8-11/16" (22.1 cm) tub spout reach (center-center). Product shall feature a plated resin handshower having a contemporary design and a 1.8 gallons (6.7 liters) per minute maximum flow rate. Product shall include 3/4" braided hot and cold supply lines (with 1/2" adapters) and a floor mounting bracket with integral base and escutcheon. Freestanding Exposed Tub and Handshower Set shall be Newport Brass Model 2040-4261/\_\_\_\_.

# 2040-4261

## PRODUCT DIMENSIONS *(Units are in inches)*



### Secant Tub and Handshower Set 2040-4261