

**Air Gap Kit**  
**3160-5711**



**Features**

- Solid brass cap
- 2-5/8" (6.7 cm) height above deck
- 2" (5.1 cm) square base
- 5/8" (1.6 cm) dishwasher inlet, 7/8" (2.2 cm) outlet
- Complements Zemora product series

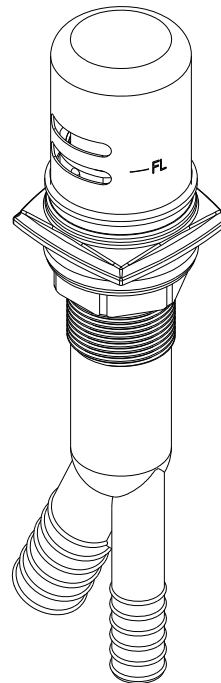
**Codes / Standards Compliance**

Meets or exceeds the following at date of manufacture:

- UPC
- All applicable US Federal and State material regulations

**Colors / Finishes**

- 10B: Oil Rubbed Bronze
- 15: Polished Nickel
- 15S: Satin Nickel - PVD
- 26: Polished Chrome
- Other: Refer to the Newport Brass catalog for additional color/finish options.



3160-5711



3160-5751

**Specified Model**

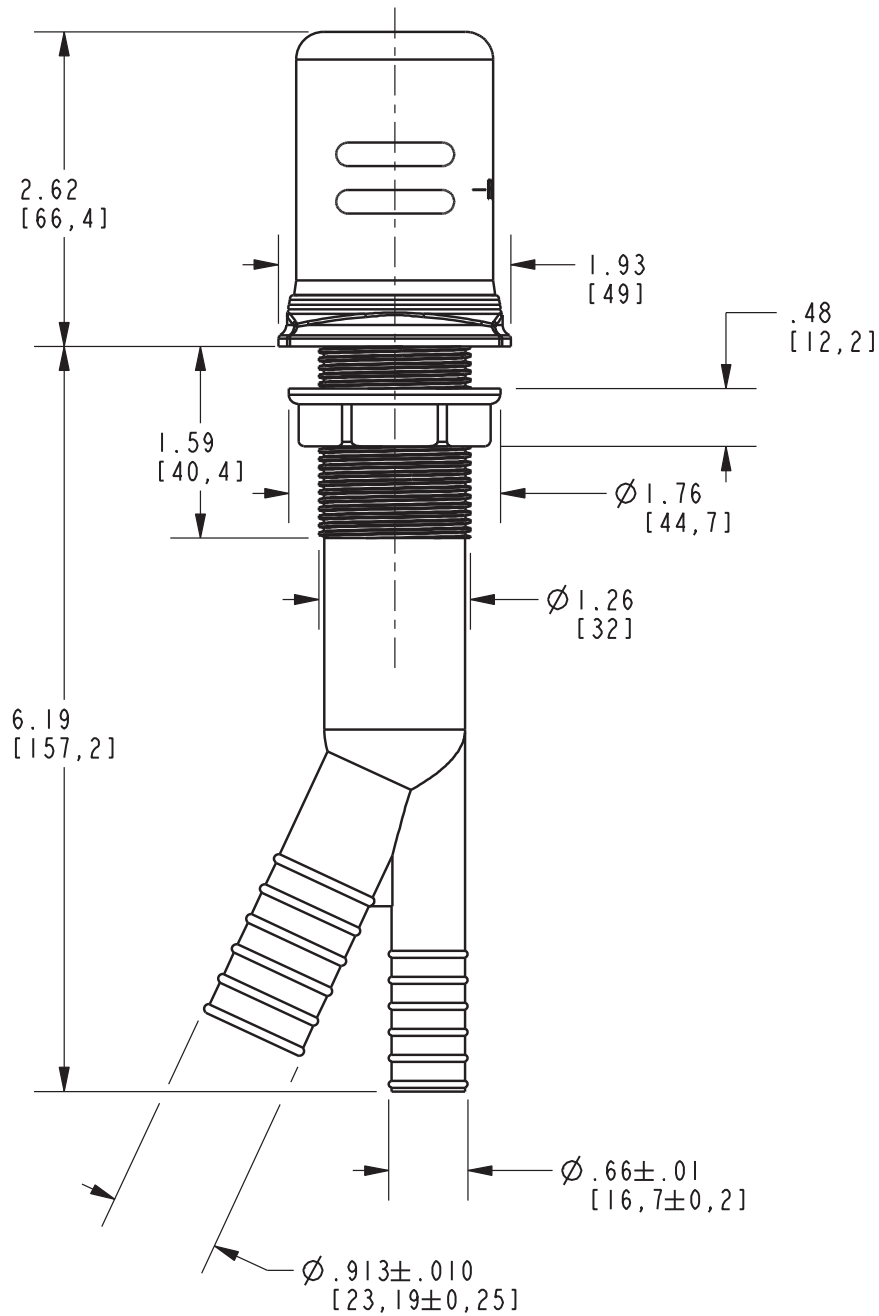
Model	Description	Colors   Finishes				
3160-5711	Air Gap Kit	<input type="checkbox"/> 10B	<input type="checkbox"/> 15	<input type="checkbox"/> 15S	<input type="checkbox"/> 26	<input type="checkbox"/> Other
3160-5751	Air Gap Cap	<input type="checkbox"/> 10B	<input type="checkbox"/> 15	<input type="checkbox"/> 15S	<input type="checkbox"/> 26	<input type="checkbox"/> Other

**Product Specification** Add "Color / Finish" suffix to Model number, below.

The Air Gap Cap shall be made of solid brass construction. Product shall incorporate a 2-5/8" (6.7 cm) cap height and a 2" (5.1 cm) cap square base. The Air Gap Kit shall include the under deck mount air gap body. Air Gap Kit shall be Newport Brass Model 3160-5711/\_\_\_\_. Air Gap Cap shall be Newport Brass Model 3160-5751/\_\_\_\_.

# 3160-5711

## PRODUCT DIMENSIONS *(Units are in inches)*



**Zemora Air Gap Kit**  
**3160-5711**