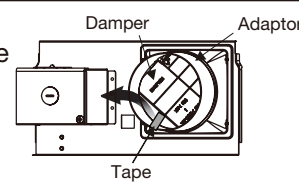


## Quick Start Installation Guide (Retrofit)

Before proceeding with installation, be sure to read and completely understand all safety and warning information in the "GENERAL SAFETY INFORMATION" section of the instruction manual.

**IMPORTANT:**  
Please remove the tape placed on the damper and adaptor before installation.



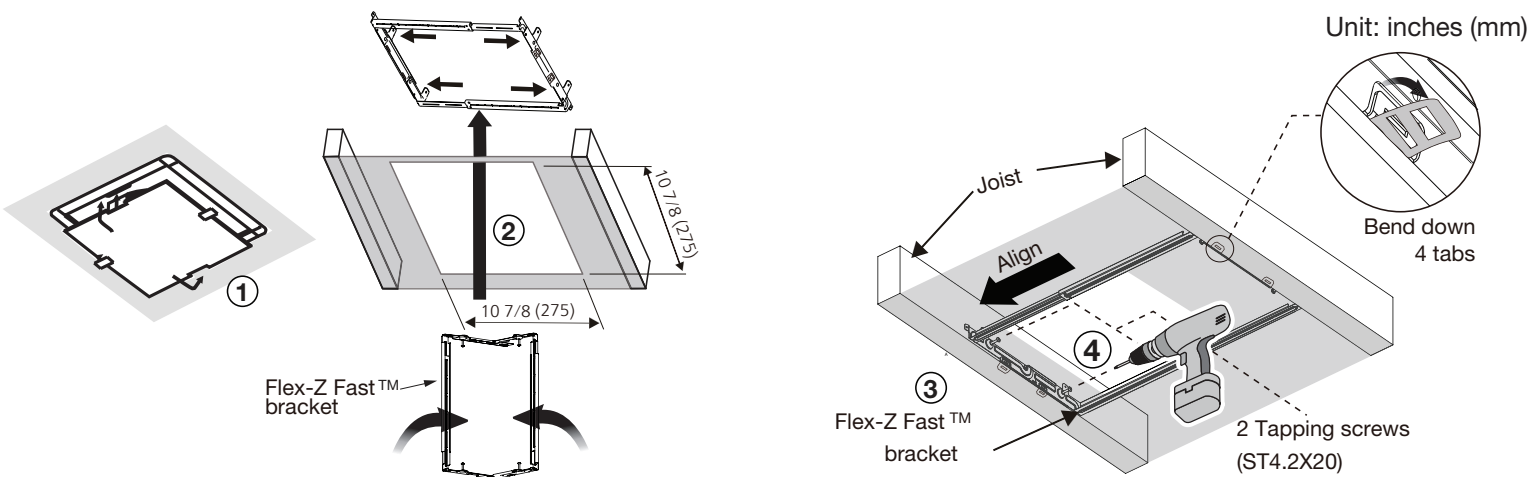
### SUPPLIED ACCESSORIES

Part name	Appearance	Quantity
Grille		1
Flex-Z Fast™ bracket (with 4 tapping screws -ST4.2X20)		1
Self-drilling screw		4
Machine screw (M4X8)		1

Part name	Appearance	Quantity
Warranty sheet		1
Installation instructions		1
Quick Start Guide		1
3 inch adaptor connector (optional part)		1

### 1 Install Flex-Z Fast™ bracket

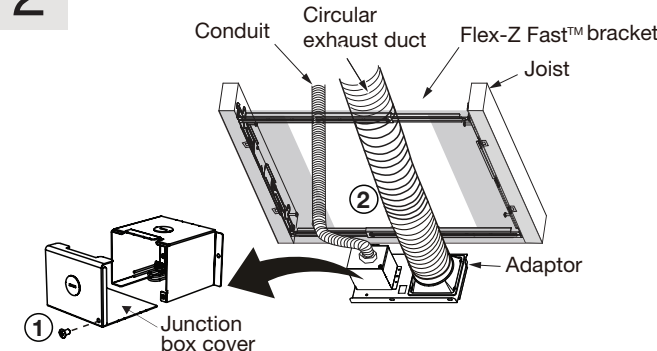
The Flex-Z Fast™ bracket position can be adjusted flexibly between joists from 16" to 24".



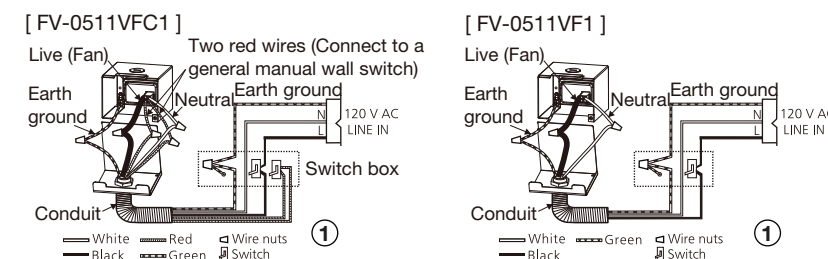
- Remove the existing fan and use housing masking template to mark the ceiling opening and cut the ceiling along the marking line.
- Insert the Flex-Z Fast™ bracket into the opening and extend.

- Bend down 4 tabs and align bracket to the joist.
- Install bracket to joist using 2 pre-installed tapping screws.

### 2 Install circular exhaust duct



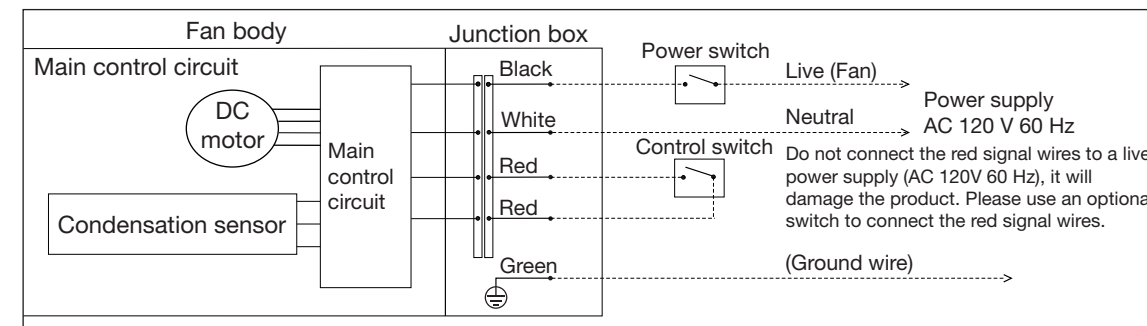
### 3 Connecting wires



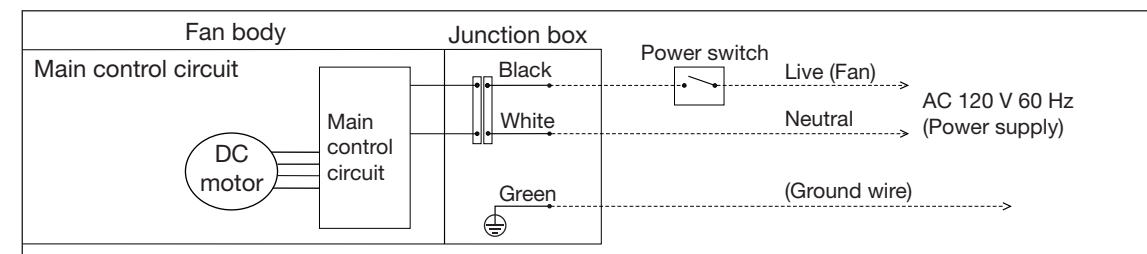
- Refer to WIRING DIAGRAM. Follow all the local electrical safety codes as well as the National Electrical Code (NEC). Using UL approved wire nuts to ventilating fan wires. After connecting wires screw back junction cover.

### WIRING DIAGRAM

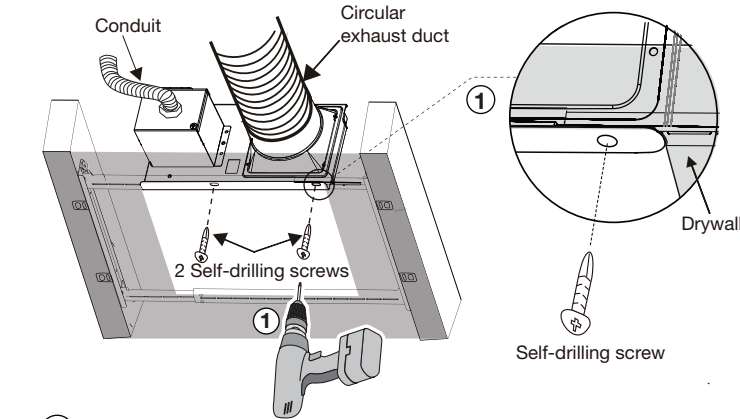
FV-0511VFC1



FV-0511VF1

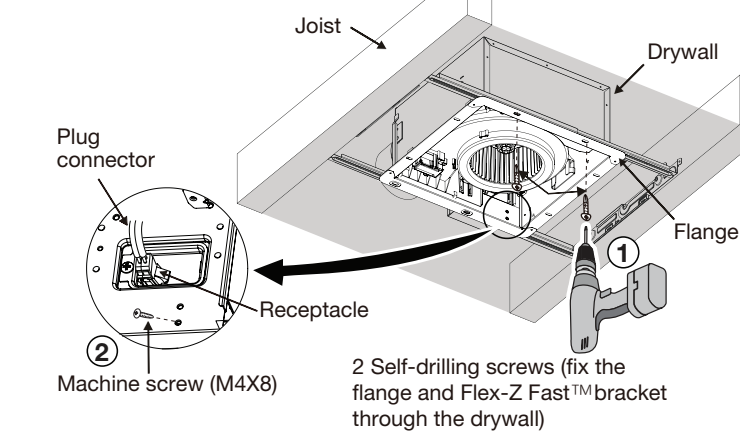


### 4 Install adaptor



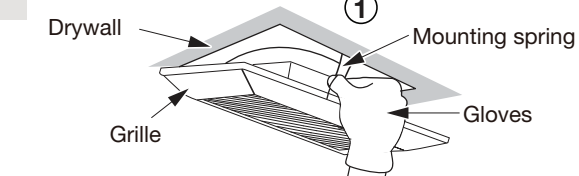
- Install the adaptor to Flex-Z Fast™ bracket by using 2 self-drilling screws.

### 6 Secure fan body



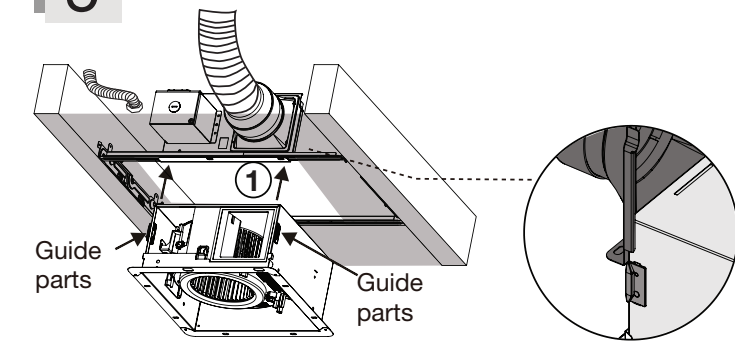
- Secure the fan body to Flex-Z Fast™ bracket by using 2 self-drilling screws.
- Plug connector to receptacle and secure the fan body to adaptor by using machine screw (M4X8).

### 8 Install grille



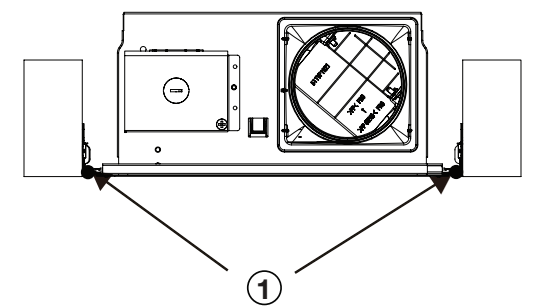
- Insert the mounting springs into the slot as shown and mount grille to fan body.

### 5 Insert fan body



- Insert fan body and slide into adaptor assembly using the guide parts until you hear a click from the hook.

### 7 Sealing



- After finishing the ceiling job, fill gap between flange and ceiling with caulk or other sealant to prevent air leakage.
- Adjust Pick-A-Flow switch.