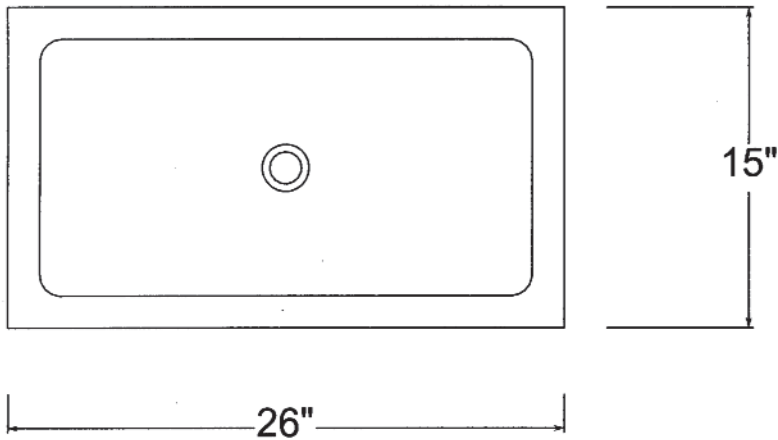


C52
MILANO VESSEL

© 2004 STONE FOREST, INC.



TOP VIEW

Available in:

Carrara Marble (CA) All Honed

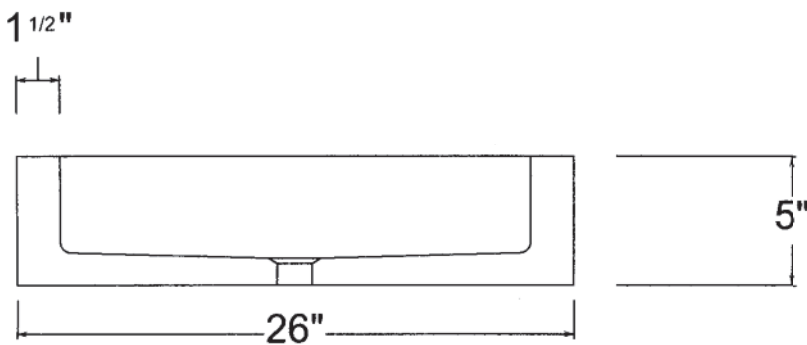
Thickness at drain is 1".

Required drain use 9054D Grid Drain or 9058D Lift & Turn. Drains are 1.25" NPT. This can be supplied by Stone Forest at your request in select finishes.

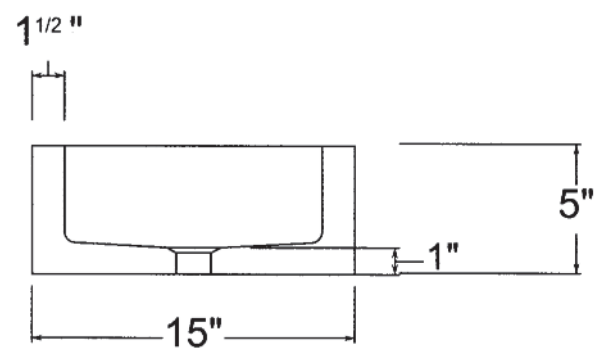
Do not use pop-up drains

Approx 80 lbs

UPC® listed



FRONT VIEW



SIDE VIEW