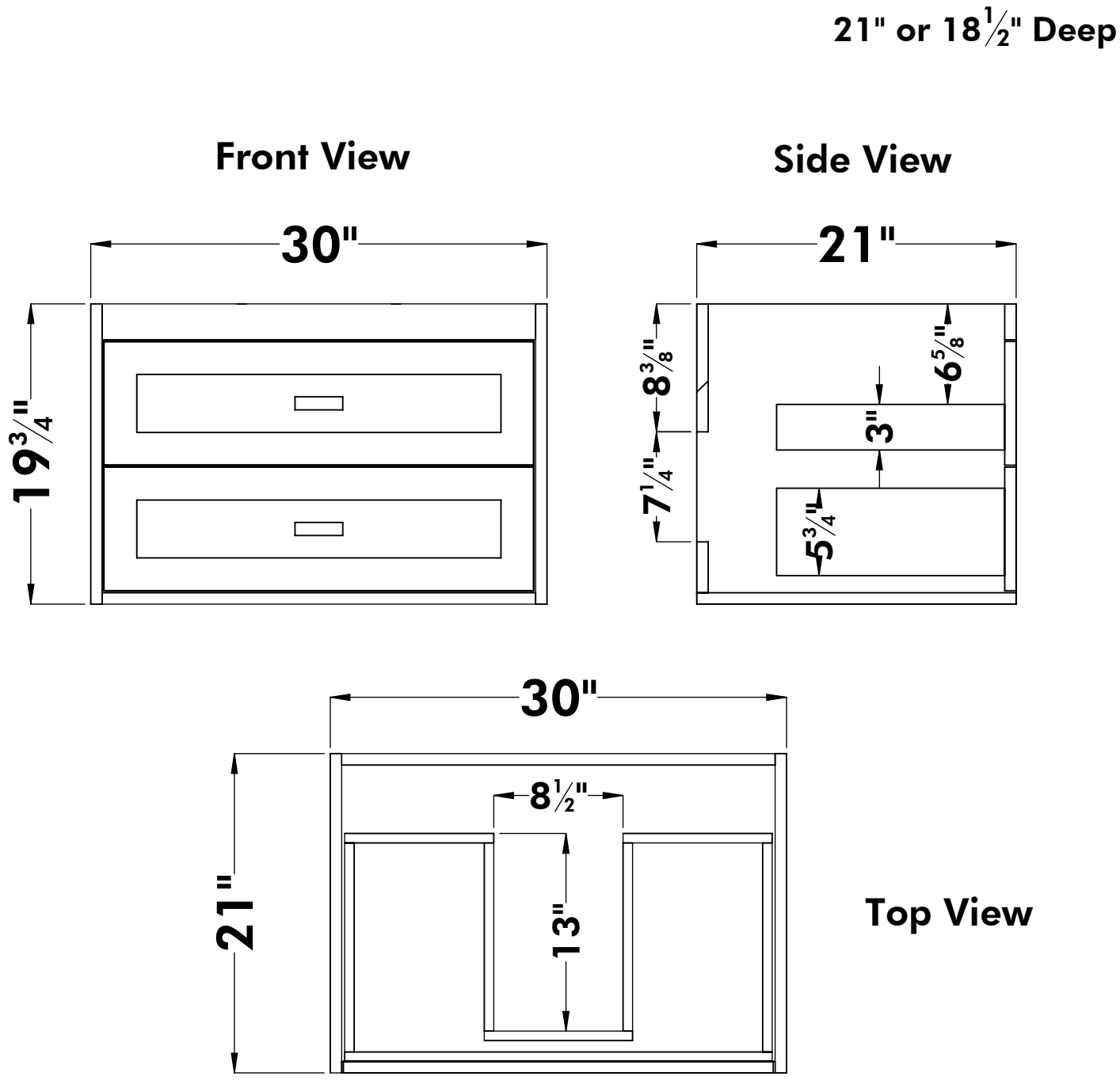


30" Sodo Town Spec. Sheet



PROPRIETARY AND CONFIDENTIAL
THE INFORMATION CONTAINED IN THIS
DRAWING IS THE SOLE PROPERTY OF
STRASSER WOODENWORKS. ANY
REPRODUCTION IN PART OR AS A WHOLE
WITHOUT THE WRITTEN PERMISSION OF
STRASSER WOODENWORKS IS
PROHIBITED.

CUSTOMER:

COMPANY:

STRASSER
WOODENWORKS

A-2