



# Wall Mounted Grab Bar SGB

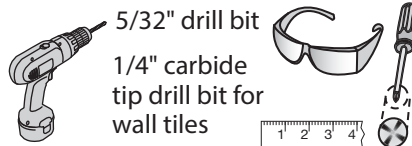
## Installation Instructions



### Model Numbers

- SGB-12..... 12 inch ADA Grab Bar
- SGB-18..... 18 inch ADA Grab Bar
- SGB-24..... 24 inch ADA Grab Bar
- SGB-36..... 36 inch ADA Grab Bar
- SGB-42..... 42 inch ADA Grab Bar
- SGB-48..... 48 inch ADA Grab Bar

### Tools and Materials



### Finish Options

Append appropriate -suffix to model number

- STN Satin Nickel
- Polished chrome (standard finish)

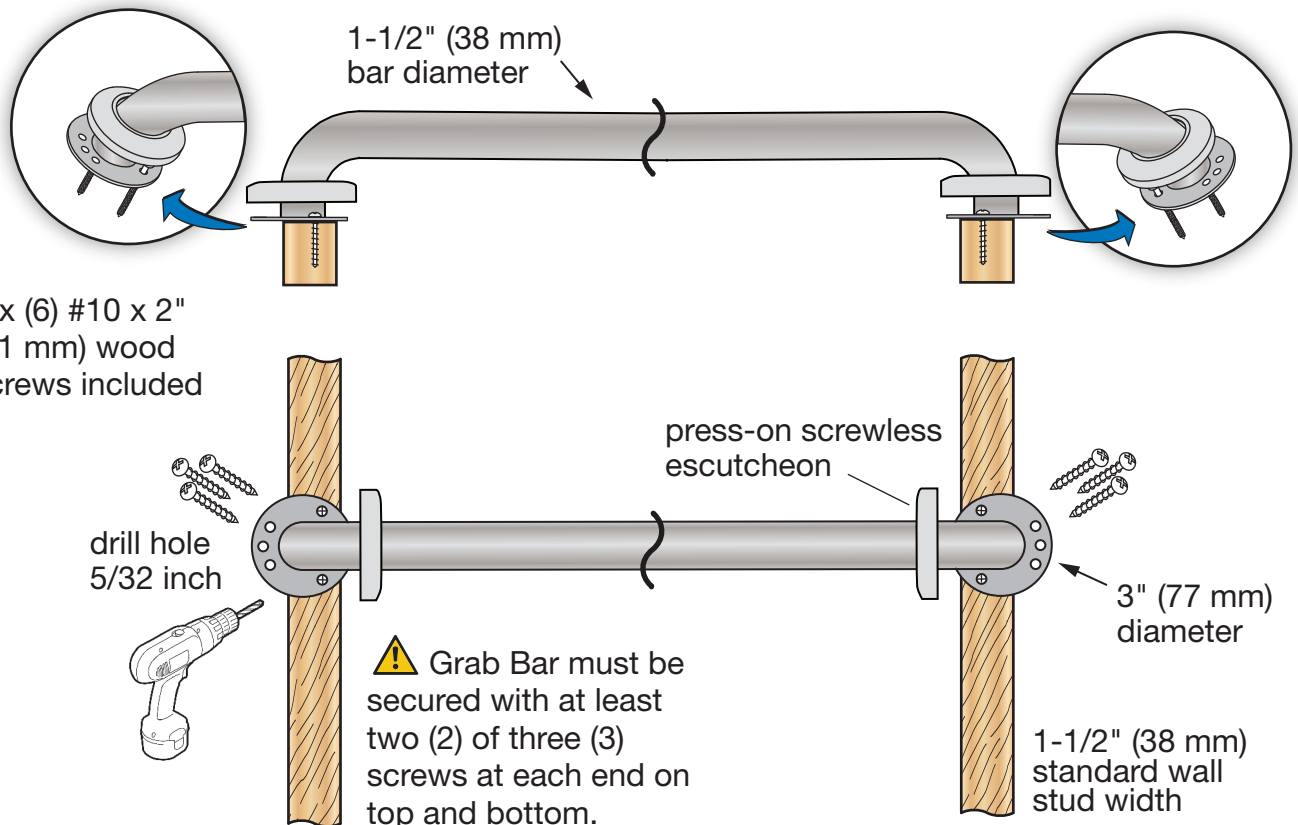
### Need Help?

- Symmons customer service:  
 P: (800) 796-6667  
 gethelp@symmons.com  
 Mon - Fri 7:30 am - 7:00 pm EST  
 www.symmons.com/service
- Technical help
  - Product information
  - Warranty policy

### Compliance

2010 ADA Standards for Accessible Design  
 Grab bar assembly complies with the applicable requirements.

## Visual Guide Wall Mounted Grab Bar SGB



## Installation Notes

### Grab Bar Location

For proper mounting heights and location consult with your state and local code official having jurisdiction over the installation.

### Solid Support

- Grab Bar must be mounted with both ends positioned over a wall stud. A stud finder can be used to locate wall studs. Contractor is responsible for installing Grab Bar to wall studs as instructed.
- Secure through wall board or tile to the wall stud so as to hold a minimum of 250 pounds of force.
- At least two (2) of the three (3) screws provided must be used on each end of the Grab Bar to properly secure.

**Note:** Standard size wall stud limits using more than two (2) screws.

### Mounting Grab Bar

- Drill all holes through wall board into wood wall studs using a power drill and a 5/32 inch drill bit.
- Ceramic tiles - If installing Grab Bar over ceramic tiles, first drill a pilot hole through the tile using a 1/4 inch carbide tip drill bit to prevent damage to the tiles. Next, drill a pilot hole into the wood wall stud using the 5/32 inch drill bit.

### Care and Cleaning

Mild soap and water or a non-abrasive cleaner is recommended for cleaning.

## Dimensions Wall Mounted Grab Bar, SGB

Grab Bar Length	
Model	Length
SGB-12	12" (305 mm)
SGB-18	18" (457 mm)
SGB-24	24" (610 mm)
SGB-36	36" (914 mm)
SGB-42	42" (1067 mm)
SGB-48	48" (1219 mm)

press-on screwless escutcheon

Six (6) #10 x 2" (51 mm) wood screws

**⚠** Grab Bar must be secured with at least two (2) of three (3) screws at each end on top and bottom.

**Note:** Dimensions subject to change without notice.

