

FEATURES

- 31¹⁵/₁₆" x 19¹/₈" x 9¹/₂" equal double bowls.
- Under counter mount kitchen sink. The rim of the sink is under neath the countertop.
- Transolid silQ®granite sinks are by made with the union of natural granite and acrylic resin. The result gives our sinks high resistance to high temperatures, scratches, dents and chips, as well as impacts and violent shocks.
- The non-porous surface is resistant to bacteria growth and reduces the need for cleaning with harsh chemicals and is 100% food safe.
- Lifetime Limited Residential Warranty

COLORS

- 5 Colors

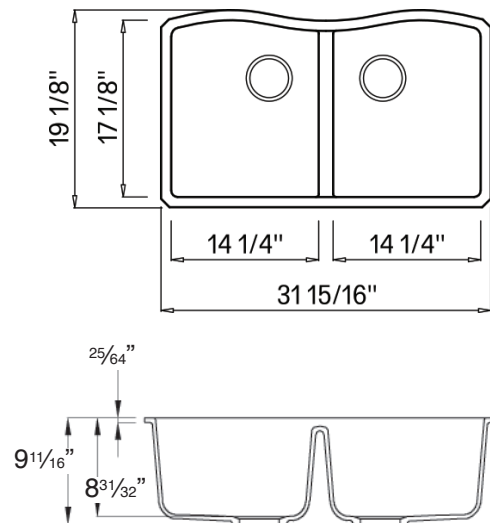
OPTIONS

- TSGADE Bottom Sink Grid Set, TCB1518-L Bamboo Cutting Board, TSDIK Universal Sink Drain Installation Kit, 2210 Covered Flip-Top Sink Strainer, 2310 Remote Flip-Top Sink Strainer, 4010 Covered Flip-Top Disposer Strainer, 2012 Standard Sink Strainer, Soap Dispenser.



Specified Model

Model	AUDE3219
Overall Dimensions	L31 ¹⁵ / ₁₆ " x W19 ¹ / ₈ " x D9 ¹ / ₂ "
Left Bowl Dimensions	L14 ¹ / ₄ " x W17 ¹ / ₈ " x D8 ³¹ / ₃₂ "
Right Bowl Dimensions	L14 ¹ / ₄ " x W17 ¹ / ₈ " x D8 ³¹ / ₃₂ "
Faucet Holes	0
Shipping Weight	50 lbs.
Material	silQ®granite
Installation	under counter mounted
Required	2 basket strainers not supplied



To Be Specified:

	COLOR
<input type="checkbox"/>	01 White
<input type="checkbox"/>	09 Black
<input type="checkbox"/>	12 Espresso
<input type="checkbox"/>	16 Cafe Latte
<input type="checkbox"/>	17 Grey

silQ®granite SINK COLORS



KITCHEN SINKS