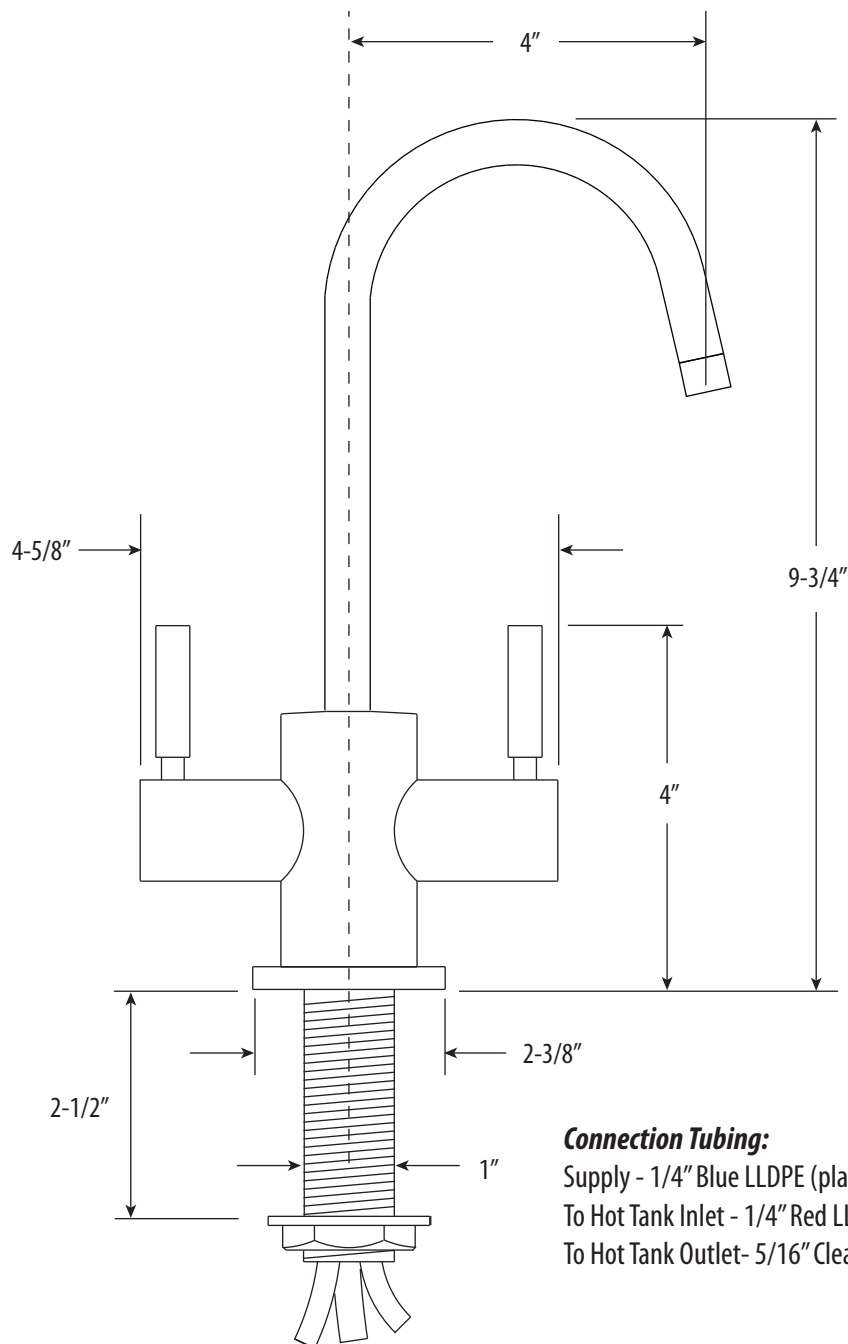


PARCHE HOT AND COLD FILTRATION FAUCET

1400HC

- Max Counter Thickness 2-1/2"
- Install Hole Size Adaptable Up to 1-3/8"



DIMENSIONS MAY VARY AND ARE SUBJECT TO CHANGE. NO RESPONSIBILITY IS ASSUMED FOR USE OF SUPERCEDED OR VOIDED DATA

PARCHE HOT AND COLD FILTRATION FAUCET

1400HC



Finish Shown - Stainless Steel

FEATURES

- Hot and cold filtered water on demand.
- For use with Waterstone Ultimate Filtration System.
- Part of the contemporary Parche Suite.
- C-spout has 4" reach and can swivel 360 degrees.
- 1.1 gpm maximum flow rate.
- Ergonomic dual lever handles.
- Resistant to reverse osmosis water.
- Made from solid brass or 316 stainless steel.
- 1/4 turn ceramic disk valve cartridges.
- Lifetime functional warranty.
- Made in the USA.

CODES/STANDARDS APPLICABLE

Specified model meets or exceeds the following:

- **ASME A112.18.1**
- **CSA B125.1**
- **NSF 61, 372**
- **CALGreen**
- **ADA compliant**



AVAILABLE IN 32 FINISHES + SOLID 316 MARINE GRADE STAINLESS STEEL