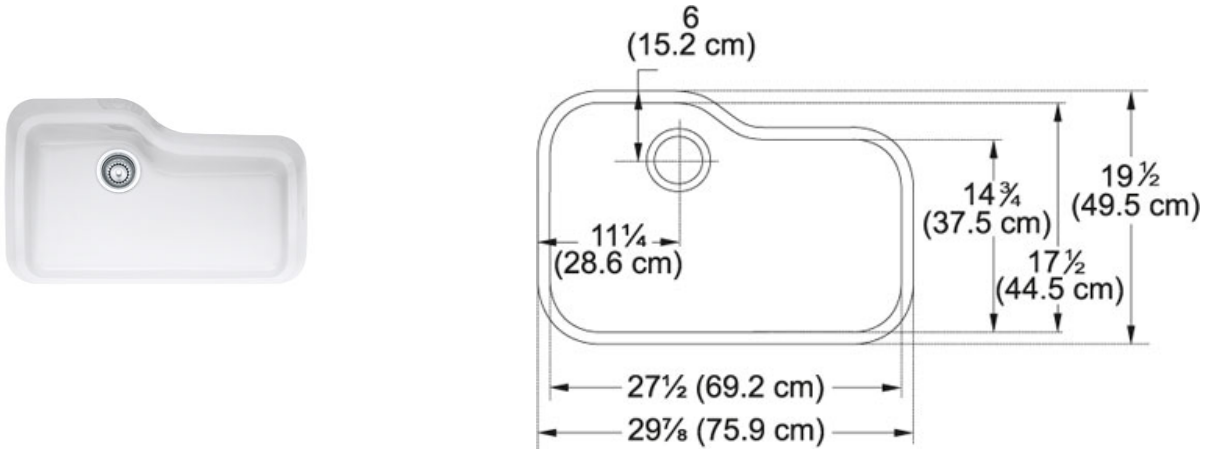


Orca ORK110 Fireclay White | 126.0066.186

FAMILY : Sinks | SERIE : Orca | MODEL : ORK110 | FINISH : Fireclay White | INSTALLATION TYPE : Undermount | STYLE : Traditional



TECHNICAL DATA

Minimum Cabinet Size 33"

Drain Opening 3 1/2"

Length overall 30"

Width overall 19 1/2"

Depth Overall 9 7/8"

Length of large bowl 27 9/16" or 27 5/8"

Width of large bowl 17 1/2"

Depth of large bowl 9"

Number of Bowls 1

Cutout Length 19 1/2"

Cutout Width 30"

* Dimensions may vary by 2% (plus or minus) due to material attributes and firing process **Installation of this fireclay product requires custom cabinetry. Franke recommends that an experienced cabinet maker build the new cabinet, or is responsible for modifications to existing cabinets for this product.

Type of Material Fireclay

Franke Kitchen Systems U.S. | ks-info.us@franke.com | www.franke.us | 2016-08-15



Cut-Out No
Template

Installation Yes
Clips

Franke BUILT-IN
Integral
Ledge

Where to Showroom
buy

Where to Showroom
buy

Orca ORK110 Fireclay White | 126.0066.186

FAMILY : Sinks | SERIE : Orca | MODEL : ORK110 | FINISH : Fireclay White | INSTALLATION TYPE : Undermount | STYLE : Traditional

RELATED PARTS



126.0066.185



126.0066.181



126.0256.642



119.0066.616



112.0066.071



112.0073.934



133.0178.205