

RUBY 3260

59 3/4" x 31 1/2" x 22 3/8"



PRODUCT DESCRIPTION:

5 days

Adjustable feet
Contemporary style
Gloss finish resistant to stains and discoloration
Acrylic thermoformed and reinforced with fibergl
Available with 2" lip only.
TAO 3260 with contour skirt and Ultim-O overflow.

WATER CAPACITY: 65 gallons	IMMERSION: 17 1/2 po
BOX SIZE: 63" x 33 1/4" x 23"	
NET WEIGHT: 91 lbs	GROSS WEIGHT: 107 lbs

Includes drain and Ultim-O overflow assembly.

GENERAL OPTIONS

Ultim-O overflow and waste included: Chrome
Acrylic Colors: White Standard
Biscuit* and Bone* (Allow 3 weeks delivery)
Others*: (Allow 6 to 8 weeks delivery)
Nuance*: (Allow 3 weeks delivery)

Drain Adapter D-111-ABS 62.6010.103.00 or
D-111-PVC 62.6010.104.00

Chromotherapy 1 light (Specify trim color)	17.99999.0000.00
Chromotherapy 2 lights (Specify trim color)	17.99999.0001.00
Chromotherapy 4 lights (Specify trim color)	17.99999.0002.00
Handle (max. 4) (submit drawing with order)	95.7077.106.XX
Gel black neck pillow (12" x 4 1/4 x 1 1/4")	18.6000.100.20

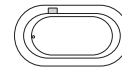
MASS-AIR/ACTIV-AIR OPTIONS

Mass-Air Jet finish: White/Chrome Standard
Biscuit/Chrome
Bone/Chrome
Others: Chrome/Chrome

Activ-Air Jet finish: Chrome, White, Biscuit, Bone	Standard
Blower Hose extension 96"	95.5013.168.00
144" Extension cord	95.3012.101.00

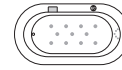
*** Blower(s) must be installed in a remote location, extensions(s) provided.**

*Customized products, non cancellable, non returnable.



Bathtub only

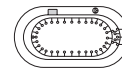
RU3260



Mass-Air

RU3260M*

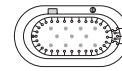
Included: 16 (11-5) injectors, Optima blower 750W (1 1/2 h.p.) with 300W heating element, 6' blower hose extension and backlit electronic control.



Activ-Air

RU3260A*

Included: 39 micro-jets, Optima blower 750W (1 1/2 h.p.) with 300W heating element, 6' blower hose extension and backlit electronic control.



Mass-Air/Activ-Air Combo

RU3260CMA*

Included: 39 Activ-Air micro-jets, 11 Mass-Air injectors, two Optima blowers 750W (1 1/2 h.p.) with 300W heating element, two 6' blower hose extensions and backlit electronic control.



Intertek

COMPLIANCE ATTESTATION
Standard bathtubs
CAN / CSA.B45.5
Hydromassage Standards
CAN / CSA.B45.10 / CSA.C22.2 / UL-1795



Certification ECORESPONSIBLE
First manufacturer of bathroom products in North America to be certified ecoresponsible.



Produits Neptune

6835, Picard street, Saint-Hyacinthe (Quebec) J2S 1H3
Phone: (450) 773-7058 - produitsneptune.com

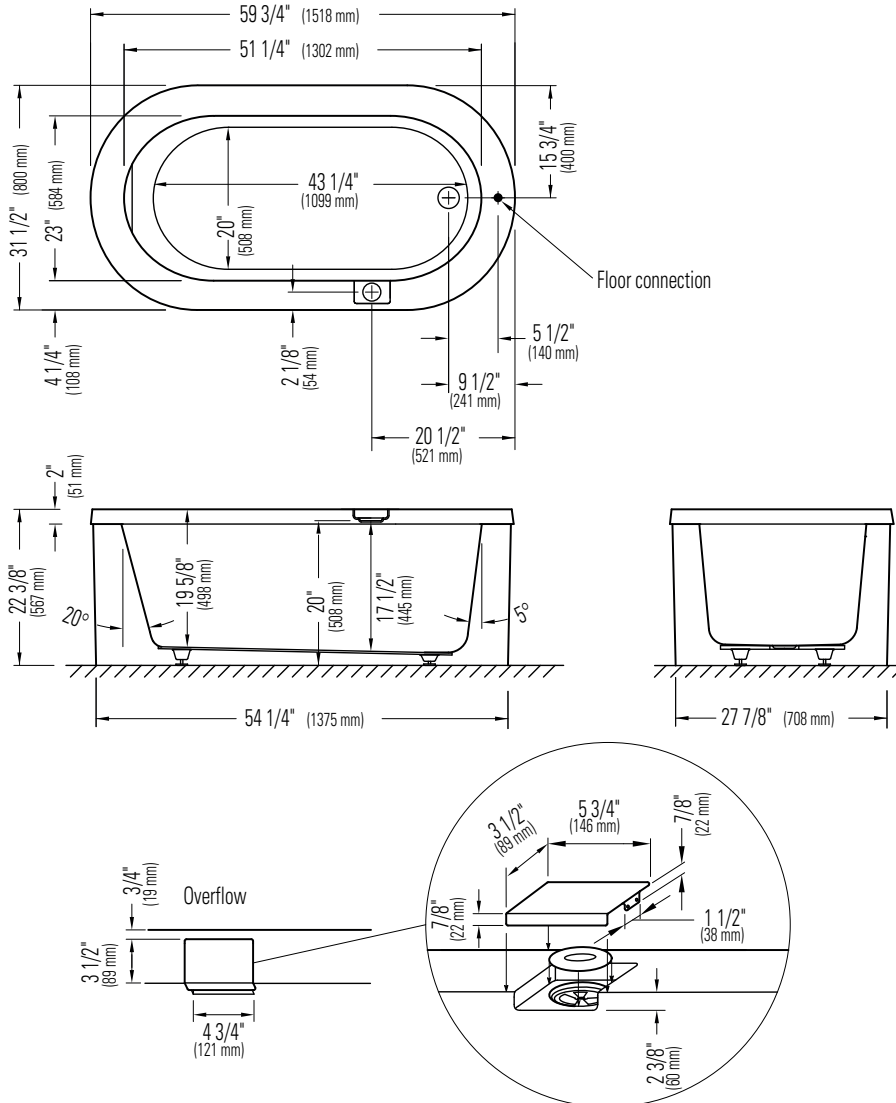
REV: 01-21



Produits Neptune

RUBY 3260

Bathtub



*All dimensions are approximate and subject to change without notice.
Please refer to the installation guide before beginning the installation