



Ultra-Sense®

Sensor Activated Lavatory Faucet

S-6080-AC-12V-SSUP

S-6080-ACM-12V-SSUP

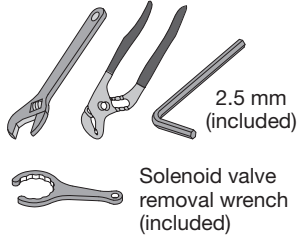
Installation, Operation & Service Instructions



Model Numbers

- **S-6080-AC-12V-SSUP**
Single supply sensor faucet and AC wall plug-in transformer
- **S-6080-ACM-12V-SSUP**
Single supply sensor faucet for multi-faucet installations with 10' DC power cord

Tools & Materials



☎ Need Help?

Symmons customer service:
P: (800) 796-6667, F: (800) 961-9621
gethelp@symmons.com
Mon - Fri 7:30 am - 6:00 pm EST

🌐 www.symmons.com/service

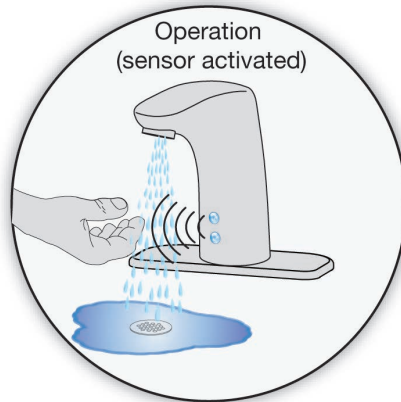
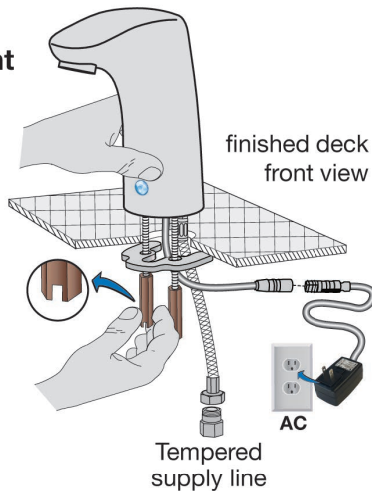
- Technical help
- Product information
- Warranty policy



Quick Install Guide Ultra-Sense Lavatory Faucet, S-6080-AC/ACM-12V-SSUP

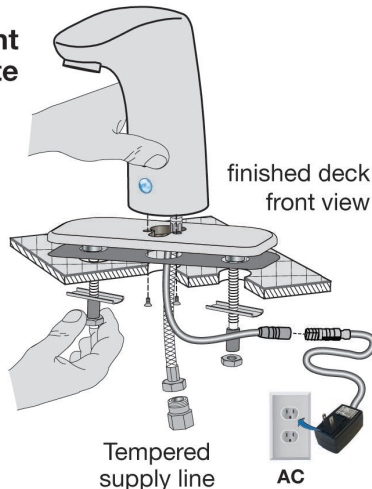
Single hole mount

- Step 1**
Attach faucet to deck
- Step 2**
Connect power and water supply lines
- Step 3**
Test and check for leaks



Three hole mount with deck plate

- Step 1**
Attach faucet and deck plate to deck
- Step 2**
Connect power and water supply lines
- Step 3**
Test and check for leaks



Faucet supply configuration options

- 1) Tempered water preset internally (factory configured)



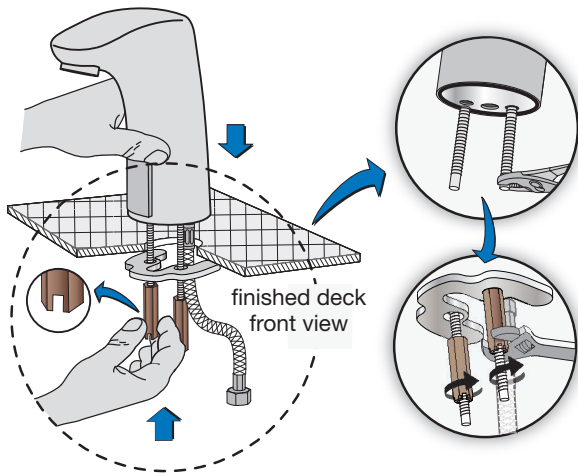
For California Residents

WARNING: This product contains chemicals known to the State of California to cause cancer, birth defects, or other reproductive harm.

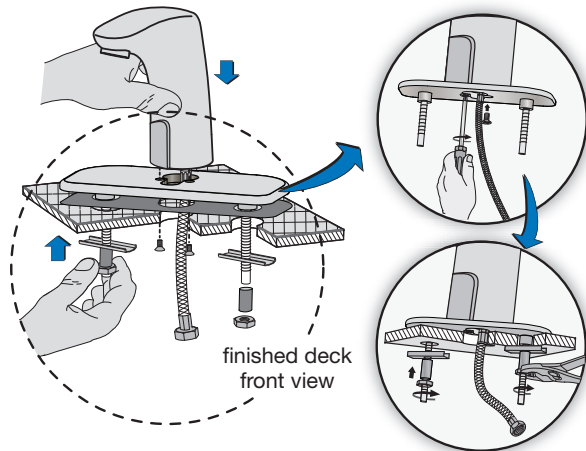
Installation Instructions, S-6080-AC-12V-SSUP and S-6080-ACM-12V-SSUP

Important! Prior to connecting the water supply, ensure supply lines are flushed. Particles can clog filter and result in malfunction. Excessive particles from supply lines may require installing a separate efficient filter.

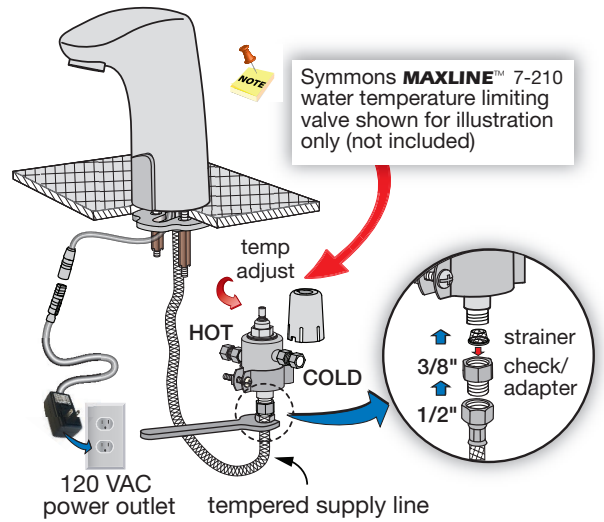
Step 1 Attach faucet to deck (1 hole) *Single hole mount without deck plate*



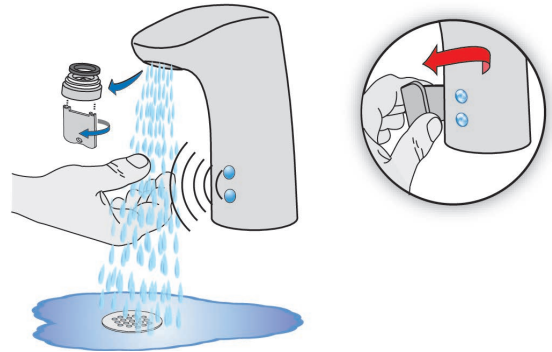
Step 1 Attach faucet to deck (3 hole) *Three hole mount with deck plate*



Step 2 Connect power and supply line

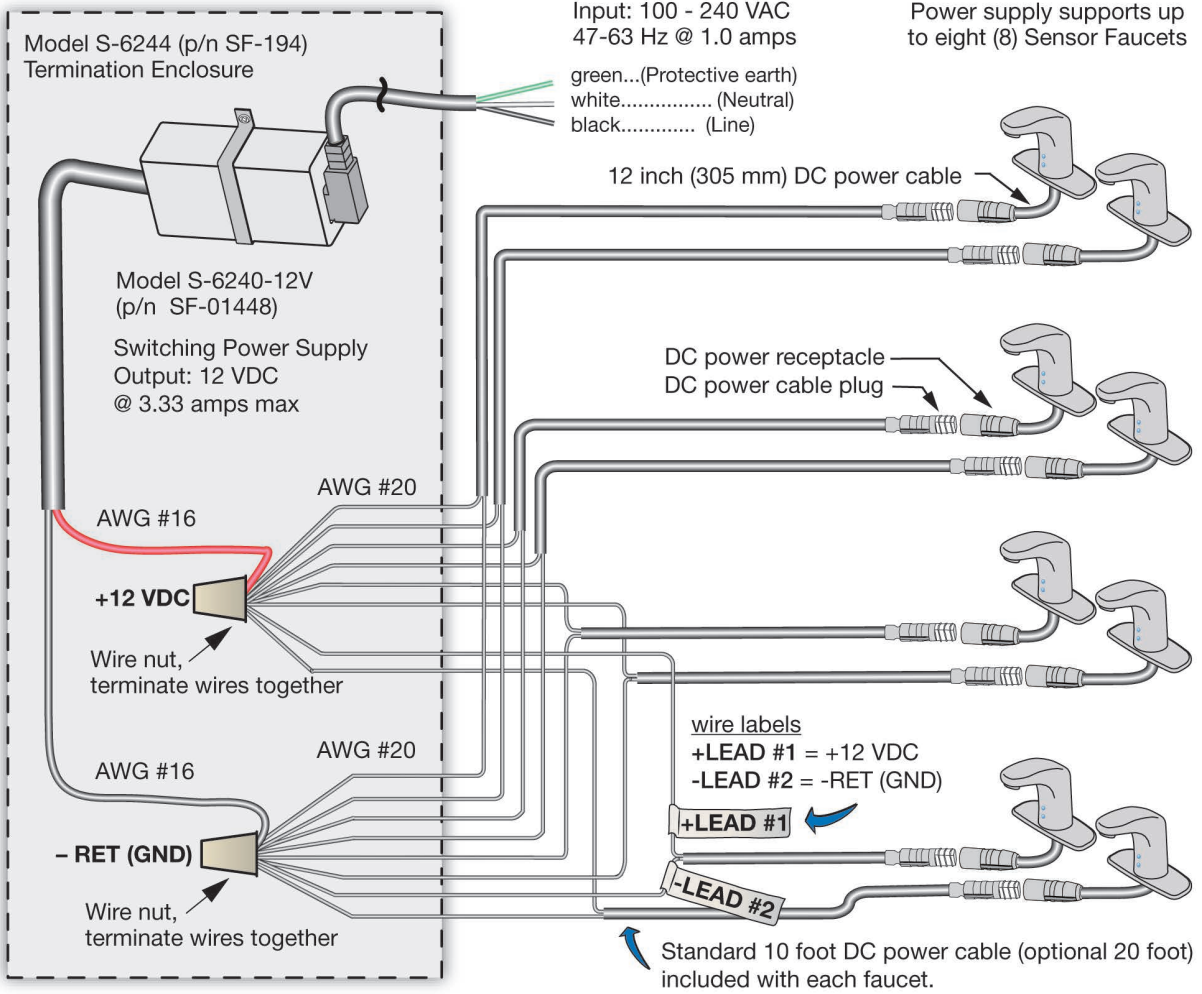


Step 3 Test operation & check for leaks



Multi-Faucet Installation Instructions, S-6080-ACM-12V-SSUP

Visual Install Guide Multi-Faucets S-6080-ACM-12V-SSUP



Note: Dimensions and product structure subject to change without notice.

Installation Requirements

The following items are not included and purchased separately:

Switching Powers Supply, Model# S-6240-12V

Power Supply supports up to eight faucets. Mounting strap and screws are included.

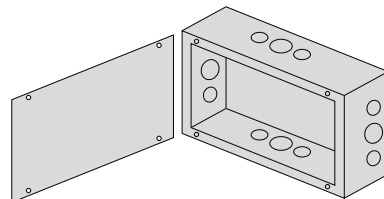
Input: 100/240 VAC @ 1.0 amp
Output: 12 VDC @ 3.3 amps max



Termination Enclosure Box, Model # S-6244

Standard electrical termination enclosure or equivalent (6"H x 10"W x 4"D).

Model S-6244 enclosure box may be purchased from Symmons or similar type from a local electrical supplier.



Wire nuts - Secure wire connections using two wire nuts that can join (8) AWG #20 wires and (1) AWG #16 wire. Purchase from a local electrical supplier.

Electrical Installation

100/240 VAC to 12 VDC power supply must be mounted in a electrical termination enclosure box with wire connection in accordance with local state electrical codes.



Important! A licensed electrician must connect AC power source to power cord leading into termination enclosure.

Multi-Faucet Installation

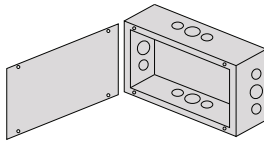
Reference Visual Guide illustration on page 3.

Step 1 Install Faucets

- Install each sensor faucet per installation instructions on page 2.
- The maximum number of faucets DC power supply can support is (8) eight.
- A 10 foot (20 foot optional) extended DC power cable is supplied with each faucet.

Step 2 Mount Termination Box

- Mount box to a wall, under a sink or closet location.
- Ensure the furthest faucet is located within 19 feet (5.8 meters) of the termination enclosure.



Step 3 Run faucet's extended DC power cable

- Plug extended DC power cable plug into each faucet's power receptacle.
- Run each extended power cable from faucet under the sink to the termination box. Feed cable through a strain relief and punched-out hole into the termination box.



Avoid contact with water pipes and secure cable in accordance with state and local electrical codes.

Step 4 Prepare power cable wire ends

- **Faucet extended DC power cables**
Strip off a few inches of cable jacket and then strip each wire to expose copper ends.
- **Power supply DC power cable**
Strip off a few inches of cable jacket and then strip ends of each wire to expose copper ends.

Step 5 Connect DC power wires

- **+12 VDC line** - Connect each of the faucet's **+LEAD #1** black wires to the power cables red wire.
- **-RET (GND) line** - Connect each of the faucet's **- LEAD #2** black wires to the power cables black wire.
- **Wire nuts** - Secure wire connections using two wire nuts with size that can join (8) AWG#20 wires and (1) AWG#16 wire.

Step 6 Connect AC Power

- Connect 100/240 VAC power source to wire ends of AC power cord. **Note:** A licensed electrician must connect AC power source to power cord.

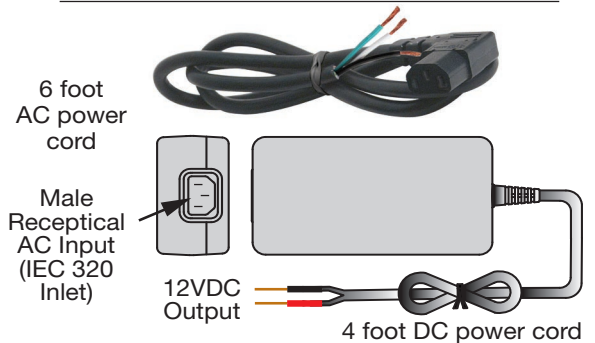
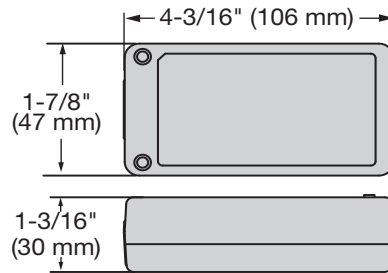


Wire color codes

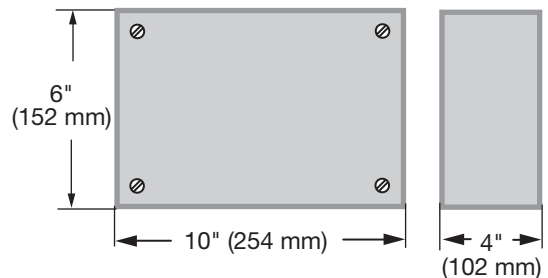
green.....(Protective earth)
white.....(Neutral)
black.....(Line)

- Plug AC power cord into power supply.
Faucets may all activate for one cycle on initial power up.

Dimensions Power Supply, S-6240-12V



Dimensions Enclosure Box, S-6244



Note: Dimensions subject to change without notice.

Operation

Sensor recognition range is factory preset at 1/2 - 4 inches

Place hand under faucet, water will flow automatically for 10 seconds and shut off.



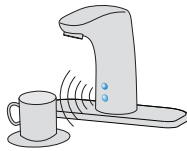
Auto shut-off time is factory preset at 1/2 to 1 second

Remove hands, water will stop automatically within 1/2 to 1 second.



Security OFF after 10 seconds

Faucet will automatically shut off after continuous water flow for 10 seconds.



Faucet Repair

⚠ Replacing Solenoid Valve (p/n SF-240)

- Remove old o-ring from valve body before replacing solenoid valve. Replacement solenoid valve will come with new o-ring installed to allow proper seal and prevent leaking from valve body.

Troubleshooting

No water flow

- Faucet is not receiving power from AC outlet. In multi-faucet installations, faucet is not receiving power.
- Filter in strainer is clogged. Excessive clogged filter may require installing of separate efficient filter into supply line.
- Solenoid valve connector inside faucet is loose.
- Circuit board is faulty. Do not attempt repair, please contact Symmons customer service.
- Solenoid valve is faulty. Do not attempt repair, please contact Symmons customer service.
- Clean around photo cell sensor area or replace sensor.

Water flow is weak

- Water supply stops are not fully open.
- Clean aerator and check strainer on end of supply line. Excessive clogging may require installing of separate efficient filter into supply line.

Water flow from spout fails to turn off

- Sensing range may be too low. Clean around photo cell sensor area.
- Clean solenoid valve membrane or replace solenoid valve.

Water temperature can't be adjusted

- Clean the check strainer on end of supply line.
- Clean or replace the mixer.

Faucet care

Cleaning surface finish

- Block sensor with plastic cleaning cover to prevent faucet from turning on while cleaning.
- Clean finish area by using mild soap and water or non-abrasive cleaner and then rinse immediately. A non-abrasive wax may be used to preserve finish area.

Precautions

- Ensure sensor is not damaged through impact or scratches.
- Ensure sensor is not blocked or disturbed by any object with its detection range.
- Ensure that no strong light source is aimed directly at sensor or through a mirror.

Risk of Freezing

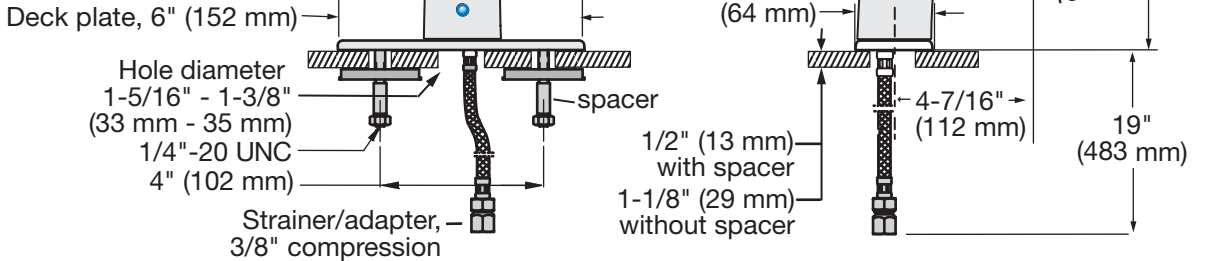
When installing the faucet in a location where the temperature may fall below freezing, the entire system must be drained of water to prevent damage in freezing weather.

- Turn off water supply.
- Disconnect all flexible hoses.
- Drain all parts and hoses of water.

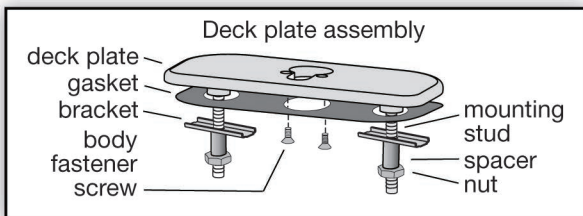
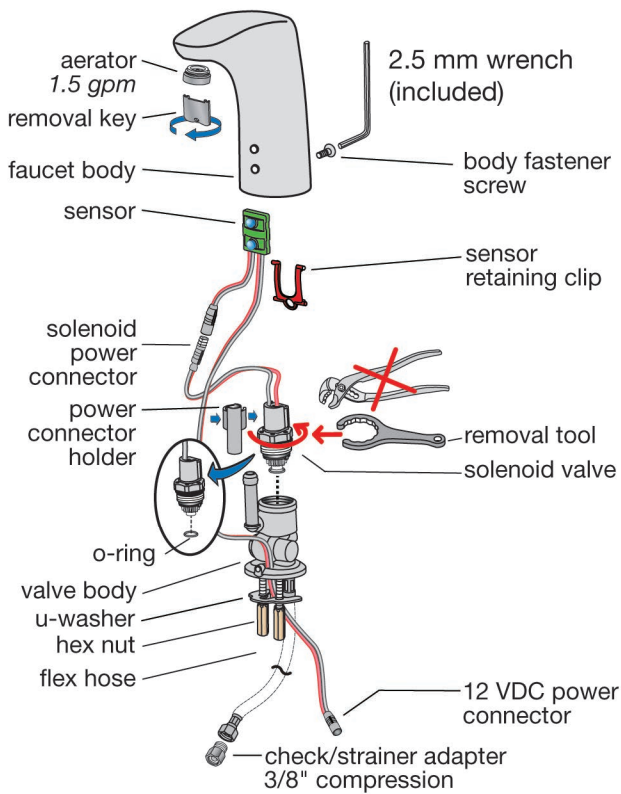
Dimensions Ultra-Sense Lavatory Faucet, S-6080-AC/ACM-12V-SSUP

Note

- (1) Faucet shown with 4 inch centered deck plate.
- (2) Dimensions subject to change without notice.



Parts Assembly Ultra-Sense Lavatory Faucet, S-6080-AC/ACM-12V-SSUP



| S-6080-AC-12V Replacement Parts | |
|---------------------------------|---|
| Part Number | Item |
| SF-240 | Solenoid valve with removal tool |
| SF-239 | Sensor and retaining clip |
| SSF-108 | Check / strainer kit for flex hose connections <i>housing check screen</i> |
| SF-158 | Single hole mounting kit |
| SF-125 | Aerator, vandal resistant with removal key #LL-60K ▪ 1.5 gpm (5.7 L/min) |
| LN-100 LN-217 | Non-aerated laminar flow vandal resistant spray outlet with removal key #LL-60K ▪ 0.5 gpm (1.9 L/min) ▪ 1.5 gpm (5.7 L/min) |
| SF-163 | Cleaning cover |

Ordering replacement parts:

Call Symmons customer service at (800) 796-6667, (781) 848-2250 M-F 7:30 am - 6:00 pm EST or check our website at www.symmons.com for a list of Symmons distributors.