





Location:

# SYMMONS® DS Creations

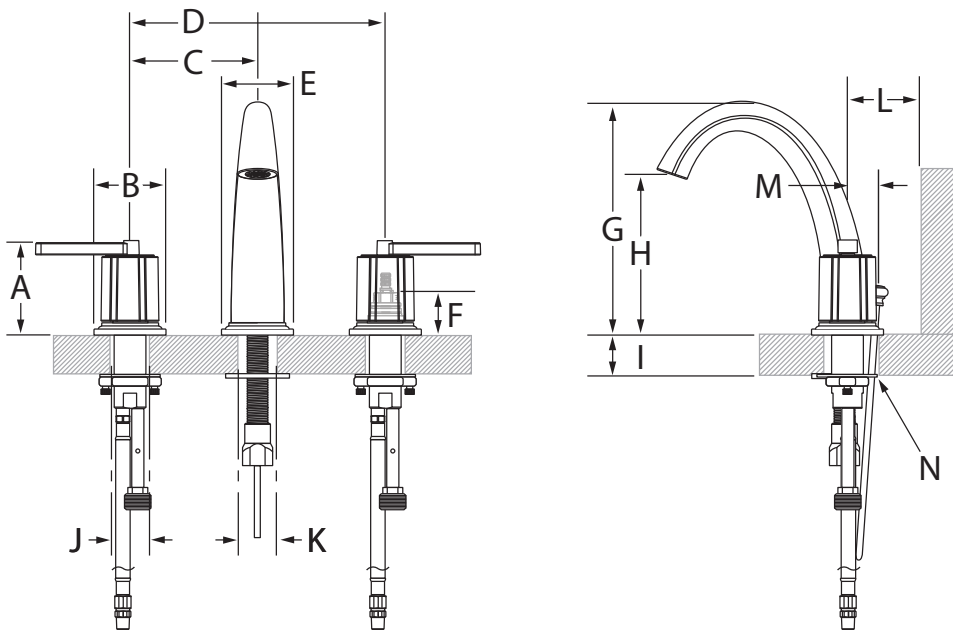
the smart choice™

SLW-0600-12-1.0-ADA  
 (CDSLW0600-12-1.0-ADA)  
 Two Handle Widespread Lavatory Faucet  
**Specification Submittal**



Model Numbers	Specification
<input type="checkbox"/> <b>SLW-0600-12-1.0-ADA</b> <i>Two Handle Widespread Lavatory Faucet</i> <input type="checkbox"/> <b>SLW-0600-12-1.0-ADA-TRM</b> <i>Two Handle Widespread Lavatory Faucet Trim</i>	Two Handle Widespread Lavatory Faucet (with widespread valve body assembly) featuring 8"-16" mount shall include quarter turn ceramic cartridges, 1/2" IPS inlet connections, metal drain assembly and 1.0 gpm (3.8 L/min) aerator. Faucet shall be made from metal construction, plated in standard polished chrome finish.
Warranty	Compliance
<p><b>Limited Lifetime</b> - to the original end purchaser in consumer/residential installations.  <b>5 Years</b> - for industrial/commercial installations.            Refer to <a href="http://www.symmons.com/warranty">www.symmons.com/warranty</a> for complete warranty information.</p>	<p>-ASME A112.18.1/CSA B125.1            -NSF/ANSI 61.9, NSF/ANSI 372            -WaterSense 1.0 gpm (3.8 L/min)            for SLW-0600-12-1.0-ADA only</p>  

## Dimensions



Measurements	
A	(2x) 2-15/16", 75 mm
B	Ø 2-1/4", 57 mm
C	4", 102 mm
D	8", 203 mm
E	Ø 2-1/4", 57 mm
F	1-5/16", 33 mm
G	7-1/4", 184 mm
H	5", 127 mm
I	Deck Thickness Ref. Max. 1-13/16", 46 mm
J	(2x) Hole Size Ø 1-1/4", 32 mm
K	Hole Size Ø 1-1/4", 32 mm
L	Min. 2-1/4", 57 mm
M	3/4", 19 mm
N	Hole Size Ø 3/4", 19 mm

**Note:** Dimensions subject to change without notice.