

Drake® Transitional WASHLET®+ S500e Two-Piece Toilet - 1.28 GPF

FEATURES

- Concealed supply connection for seamless installation
- TORNADO FLUSH® system, high-efficiency (1.28 GPF/4.8 LPF)
- Transitional style tank
- CEFIONTECT® ceramic glaze minimizes waste from sticking to porous ceramic surfaces.
- 12" Rough-in, supply line sold separately
- Universal Height
- Chrome plated trip lever
- Auto flush available as upgrade
- Elongated front bowl and WASHLET+ S500e and tank set
- EWATER+® auto-cleans wand and bowl
- On-demand remote function cleans wand with EWATER+
- PREMIST® of bowl before each use
- Remote control operated

MODELS

- MW7863046CEFGA (#01)
With CEFIONTECT ceramic glaze, WASHLET+ S500e with contemporary design and Auto Flush
- C776CEFGT40
Elongated bowl with CEFIONTECT
- ST786EA
Tank and cover only
- SW3046AT40
WASHLET+ S500e
- THU767
Auto Flush Kit
- MW7863046CEFG (#01)
Same as MW7863046CEFGA without Auto Flush

OPTIONAL COMPONENTS

- THU398(#01, #PN, #BN)
Trip Lever - Cotton, Polished Nickel, Brushed Nickel

COLORS/FINISHES

- #01 Cotton



-  TORNADO FLUSH
-  EWATER+
-  CEFIONTECT
-  Auto Flush
-  UNIVERSAL HEIGHT

PRODUCT SPECIFICATION

The two-piece high-efficiency TORNADO FLUSH toilet shall be 1.28 GPF/4.8 LPF. Universal Height Toilet with CEFIONTECT glaze finish. Toilet shall have high-profile tank, elongated front bowl and chrome trip lever. Toilet shall be TOTO Model MW7863046CEFG__#01. See TOTO Specification sheet SW3046AT40 for details on required WASHLET.

CODES/STANDARDS

- Meets and exceeds ASME A112.19.2/CSA B45.1
- Certifications: IAPMO(cUPC®), EPA WaterSense, State of Massachusetts, City of Los Angeles, and others
- Code Compliance: UPC, IPC, NSPC, NPC Canada, and others
- Legislative Compliance: California Green Building Code, City of Los Angeles Water Efficiency Ordinance, and others
- ADA compliant (when installed with trip lever located on the approach side)
- Complies with CA Prop 65 warning requirements



MW7863046CEFG(A)

Drake® Transitional WASHLET®+ S500e Two-Piece Toilet - 1.28 GPF

SPECIFICATIONS

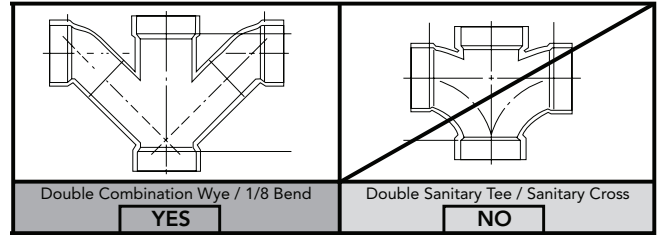
Water Use	1.28 GPF (4.8 LPF)
Flush System	TORNADO FLUSH®
Min. Water Pressure	8 psi (Flowing)
Water Surface	9" x 6-7/8"
Trap Diameter	2-1/8"
Rough-in	12"
Trap Seal	2-1/8"
Warranty	One Year Limited Warranty
Material	Vitreous China
Shipping Weight	C776CEFGT40 62 lbs. ST786EA 34 lbs.
Shipping Dimensions	C776CEFGT40 30-1/8" L x 15-1/4" W1 x 10-7/8" W2 x 17-3/4" H ST786EA 20" L x 9-3/8" W x 15-5/8" H

See SW3046AT40 Specification Sheet for details on included WASHLET.

INSTALLATION NOTES

Back-to-Back Toilet Installations:

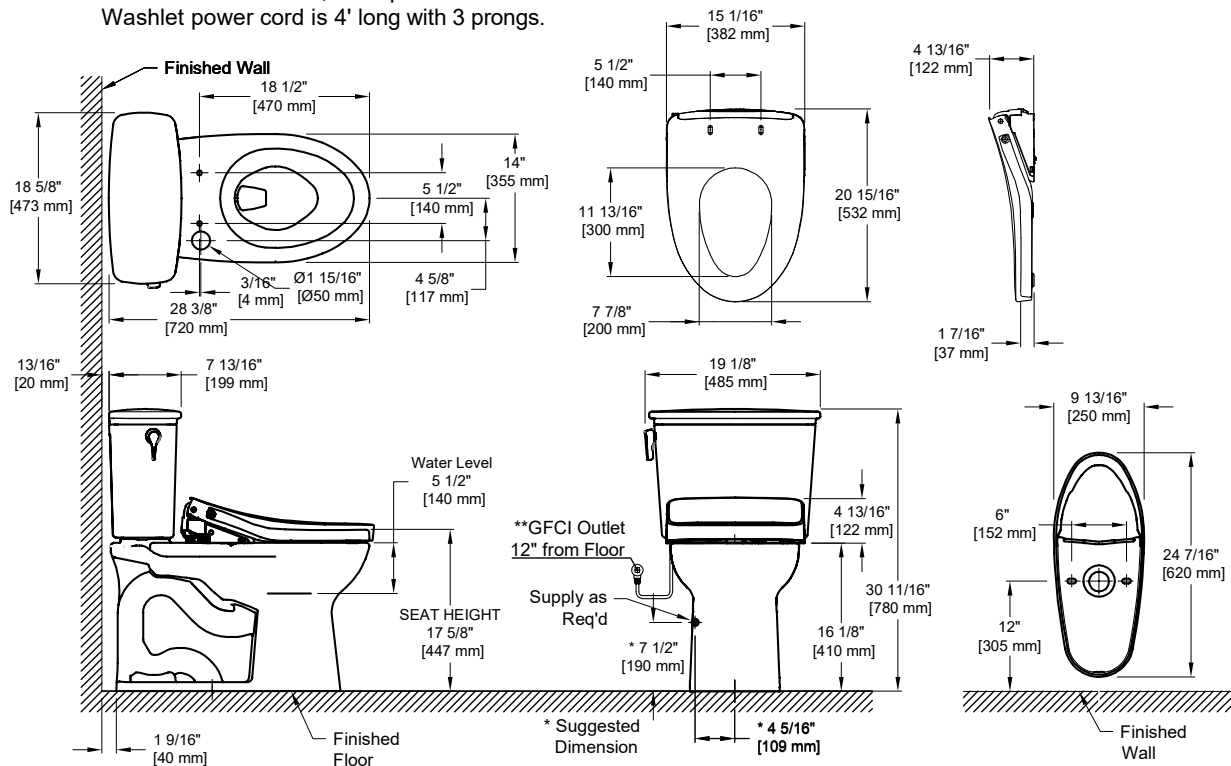
TOTO recommends the use of a nationally listed, double sanitary tee-wye only, in vertical waste stacks, in accordance with the stipulations noted in the majority of nationally recognized plumbing codes.



To maintain adequate wall gap between the back of the tank and wall, mount the floor flange at a nominal 12" rough-in distance.

DIMENSIONS

**GFCI outlet of 120V, 10amps.
Washlet power cord is 4' long with 3 prongs.



TOTO®

These dimensions and specifications are subject to change without notice